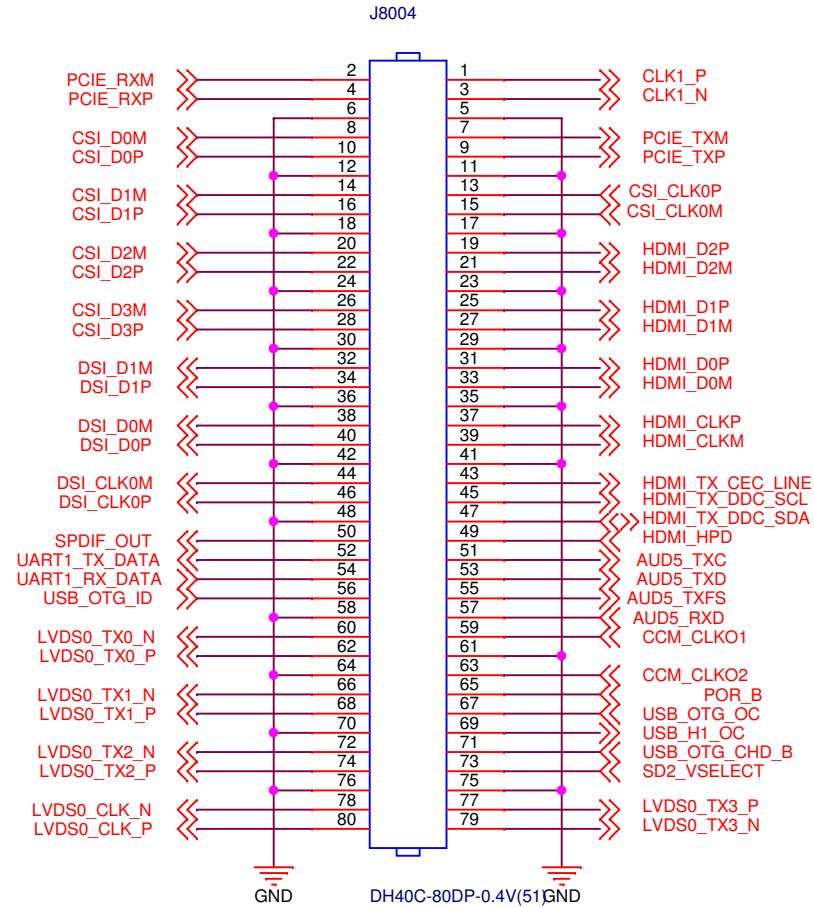
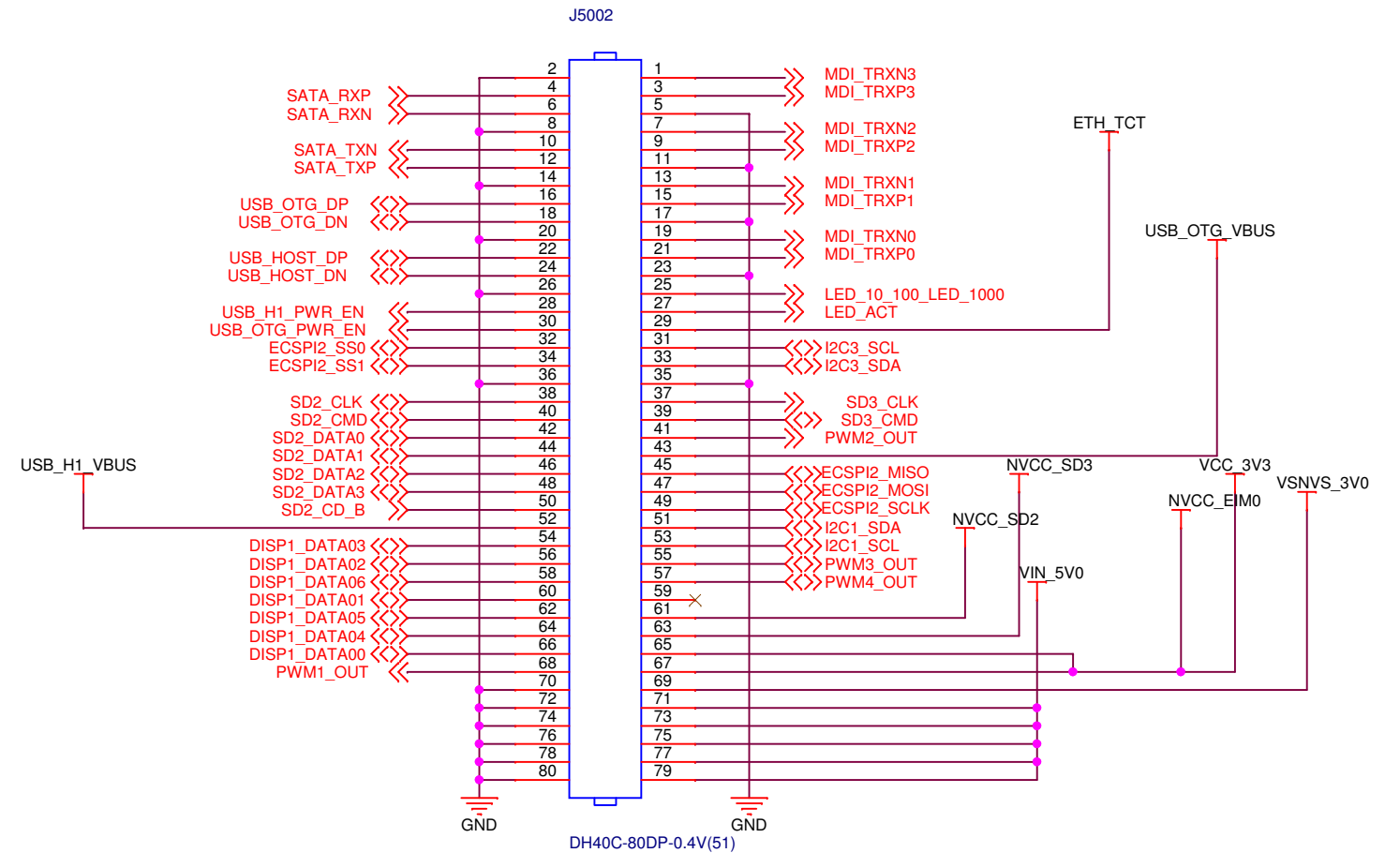


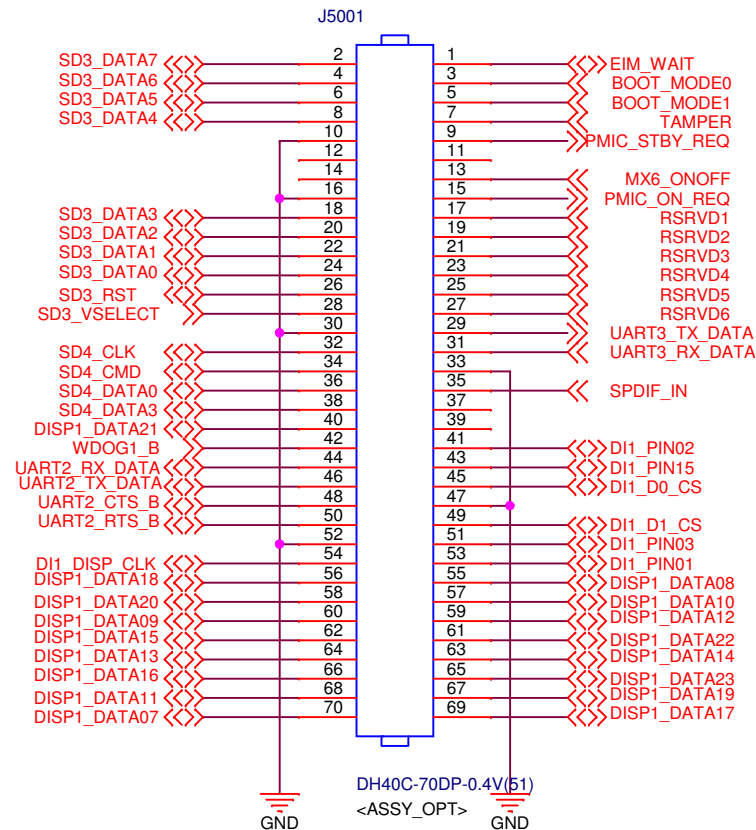
Second board to board header



Main board to board header



Third board to board header



NOTES -

1. This DSN OrCad file is given to simplify the hardware design based on SolidRun SR-uSOM-MX6.
2. Refer to the SR-uSOM-MX6 reference manual for detailed information.
3. The part number description describes the HEADER that is used in the SR-uSOM-MX6. The hardware designer must look at Hirose DF40 series and choose the RECEPTACLE with the required mating height.
4. SATA is available only on the i.MX6 dual and quad versions