

Application Note

IMX6 Solid Run Products Thermal Analysis

Document rev 1.0

Documentation Revision History

Date	Owner	Approved	Revision	Notes
16-December-2014	Ohad Barany	Kossay Omary	1.0	Initial release

Introduction

This Application Note notes the thermal grades of SolidRun IMX6 products.

uSOM

Grade	Solid Run p/n	IMX6 CPU	DDR3	Ethernet PHY	Crystal	PWR Mngmnt	WiFi
Commercial	uSOM-i1 (solo Core)	C	C	I	I	I	C
	uSOM-i2 (dual- lite Core)	C	C	I	I	I	C
	usom-i2eX (dual core)	E	C	I	I	I	C
	usom-i4 (quad core)	E	C	I	I	I	C
Extended	uSOM-i1 (solo Core)	E	I	I	I	I	C
	uSOM-i2 (dual- lite Core)	E	I	I	I	I	C
	usom-i2eX (dual core)	E	I	I	I	I	C
	usom-i4 (quad core)	E	I	I	I	I	C
Industrial	uSOM-i1 (solo Core)	I	I	I	I	I	C
	uSOM-i2 (dual- lite Core)	I	I	I	I	I	C
	usom-i2eX (dual core)	I	I	I	I	I	C
	usom-i4 (quad core)	I	I	I	I	I	C
AutoMotive	uSOM-i1 (solo Core)	A	I	I	I	I	C
	uSOM-i2 (dual- lite Core)	A	I	I	I	I	C
	usom-i2eX (dual core)	A	I	I	I	I	C
	usom-i4 (quad core)	A	I	I	I	I	C

Legend:

C= Commercial

E= Extended

I= Industrial

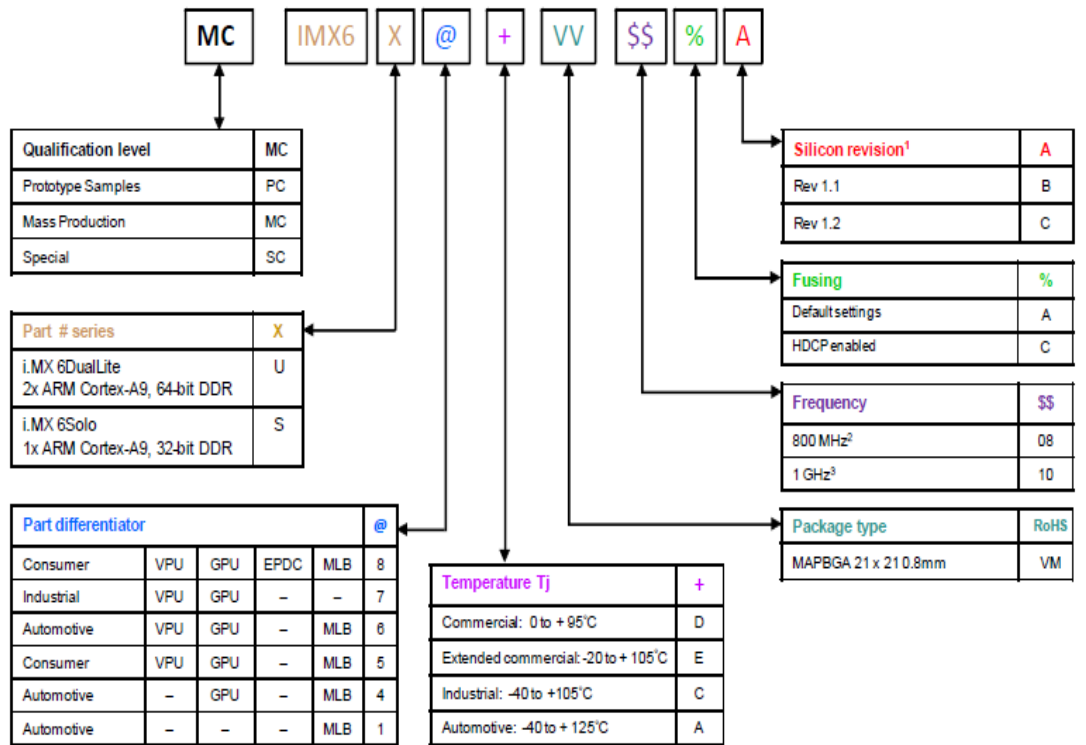
A= Automotive

Comments:

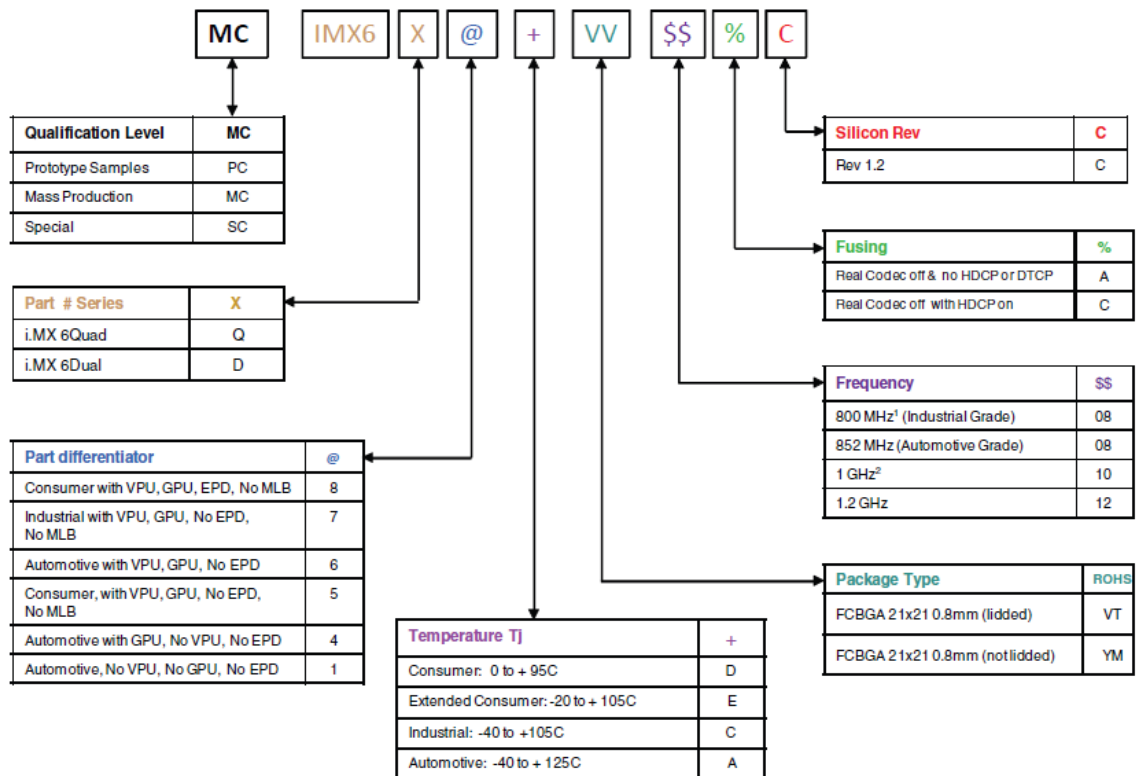
1. The temperatures of the components (out of the CPU) are Operating Ta (ambient):
Commercial: 0C-70C; Industrial: -40C-85C
2. The temperatures of the CPU are Operating Tj (Junction):
Commercial: 0C-95C; Extended: -20C-105C; Industrial: -40C-105C; Automotive: -40C-125C.
3. All the uSOMs come with heatsink and thermal pad.

4. Please select the IMX6 CPU according to the below:

Dual Light & Solo



Quad & Dual



HummingBoard

Grade	SolidRun p/n	USB HUB	Analog Audio	RTC
Commercial	HummingBoard- Basis	C	-	-
	HummingBoard- Pro	C	C	C
Industrial	HummingBoard- Basis	I	-	-
	HummingBoard- Pro	I	I	I

Legend:

C= Commercial

I= Industrial

Comments:

1. The temperatures of the components are Operating Ta (ambient):
Commercial: 0C-70C; Industrial: -40C-85C

CuBOX-i

The ambient temperatures that the CuBOX-I supports are 0C-40C.