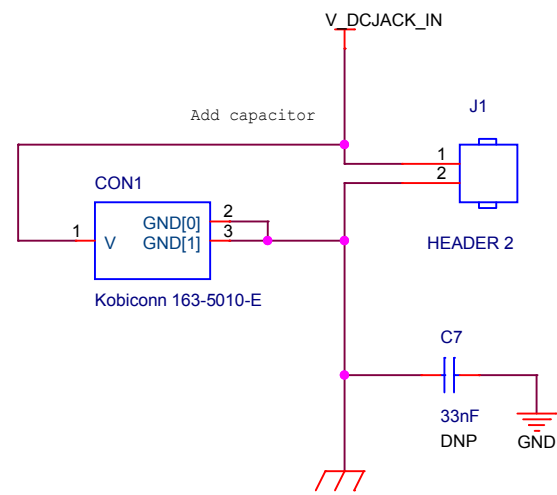
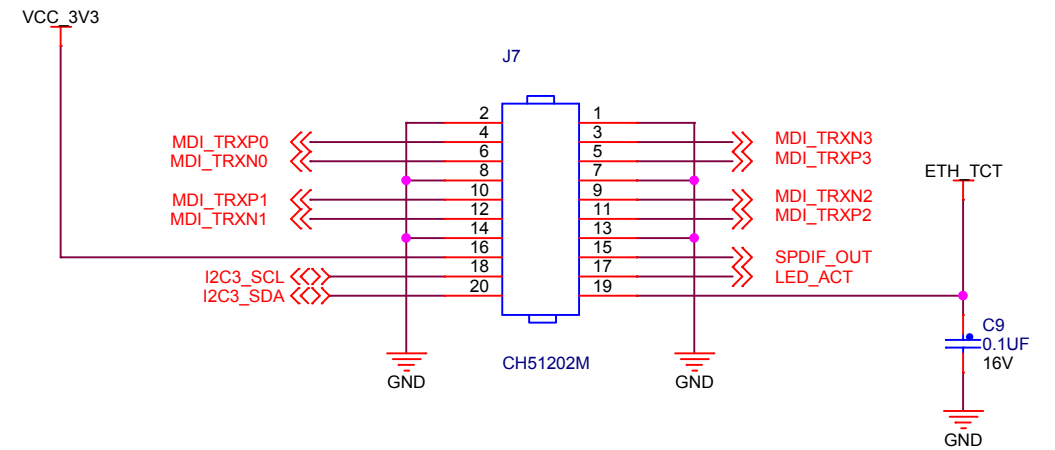


# DC-Jack in

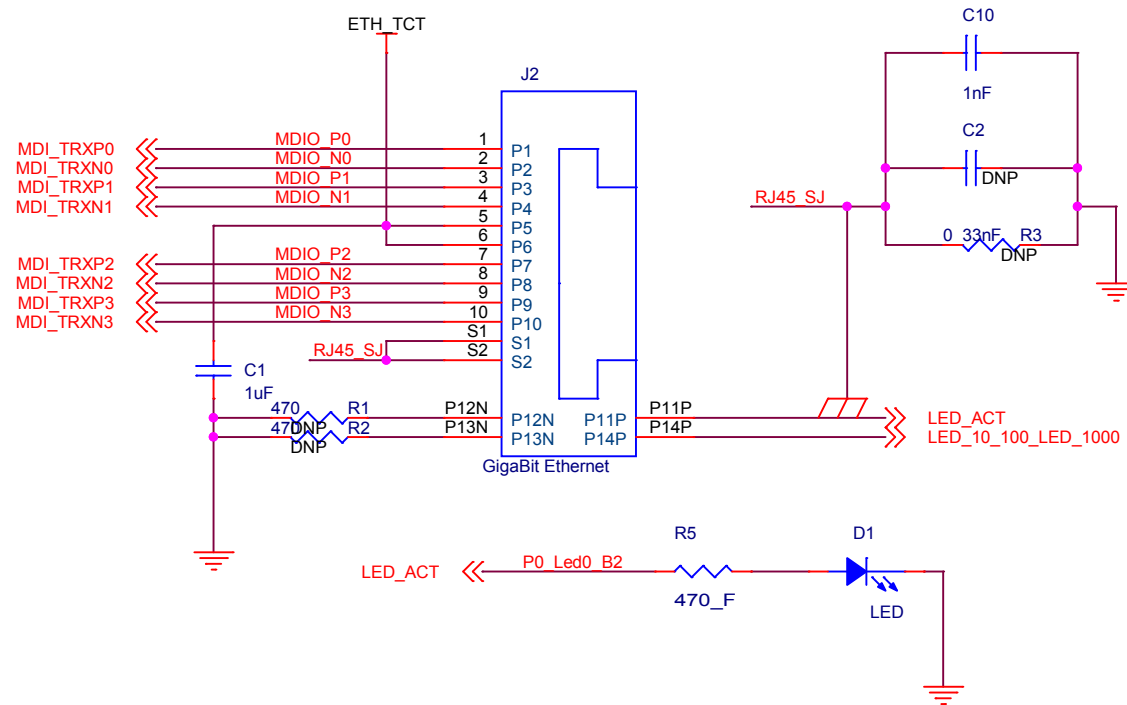


# 50mil 2x10 board to board

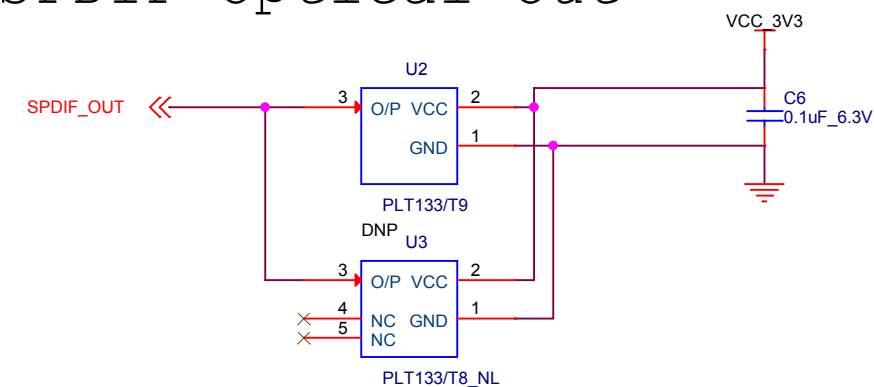
To be mated with 50mil board on lower



# RJ45 Connector

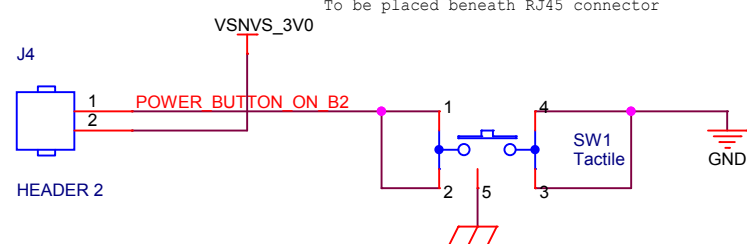


# SPDIF Optical Out



# Button

To be placed beneath RJ45 connector



Title		
CuBox-i Upper		
Size	Document Number	Rev
A3	CuBox-i Upeer	1.1
Date:	Sunday, January 19, 2014	Sheet 1 of 1