

# SR-uSOM-IBxxxx MicroSOM pinout

SOM rev 1.1 and 1.2

## Input voltage supplies

### VSYS

VSYS - Input to SOM - 7 to 19v

### VSDIO

External SD card interface voltage (3.3v or 1.8v)  
If unused can be shorted to V3P3A or V1P8A

### VIN\_3P3\_BAT

3.3v RTC battery input - V3P3A fail over diode is on SOM  
Can be floated if no RTC battery exists

## Output voltage supplies

### VSS

5V output off when suspended

### V3P3A

3.3v output - always on

### V3P3S

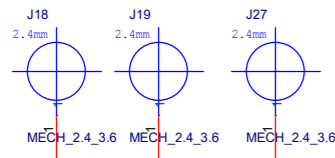
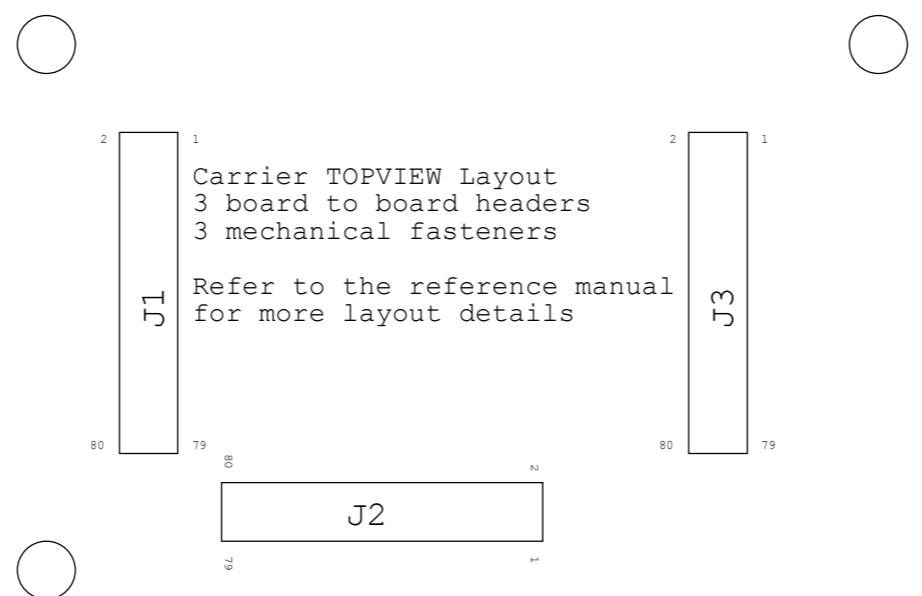
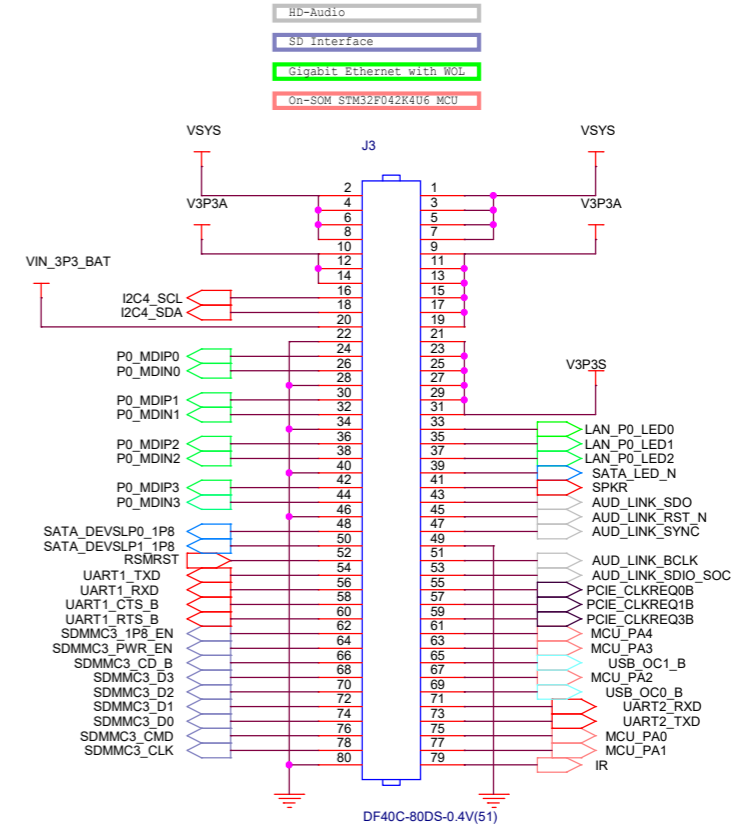
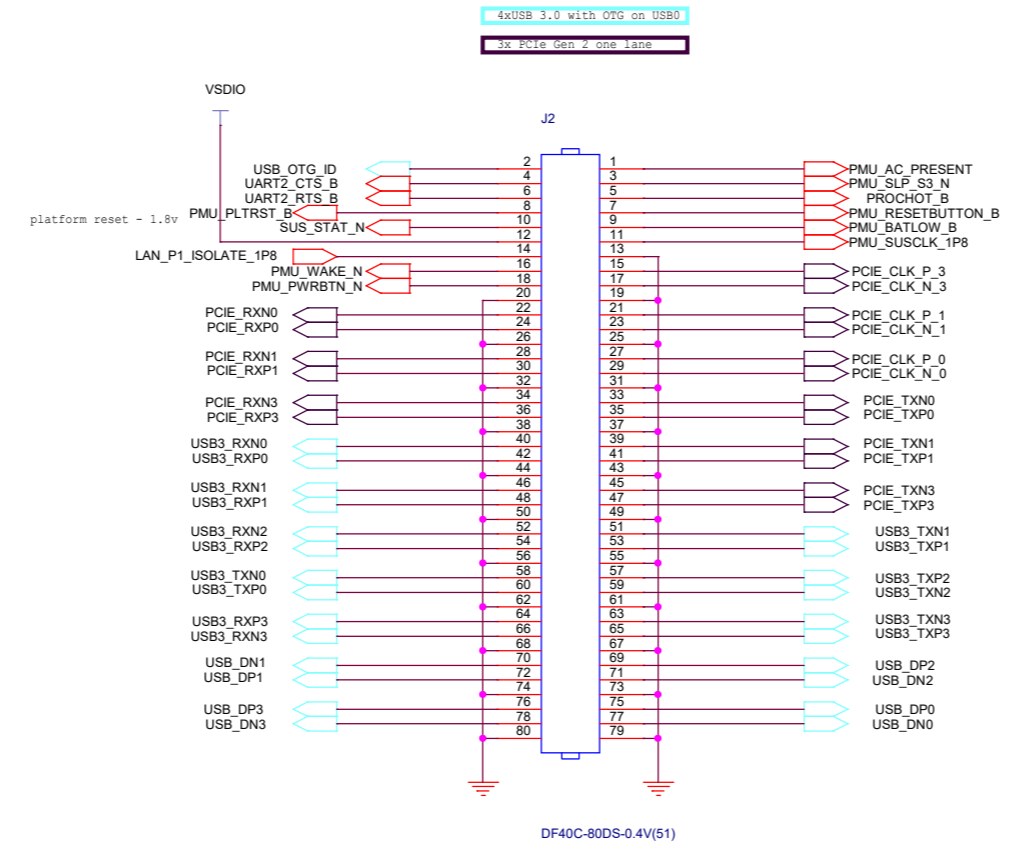
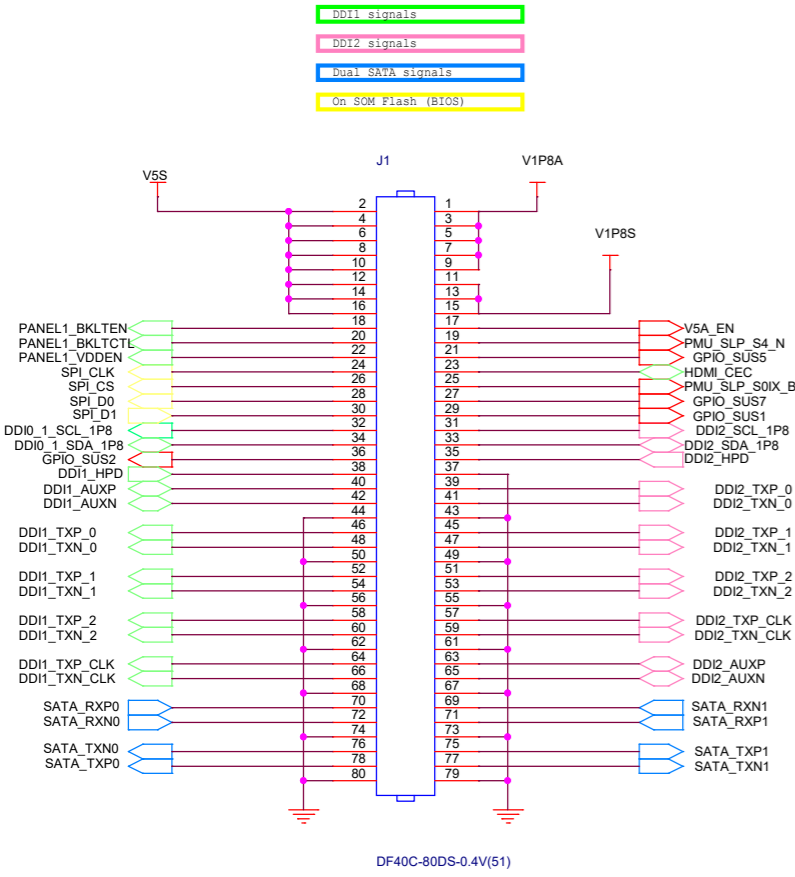
3.3v output - off when suspended

### V1P8A

1.8v output - always on

### V1P8S

3.3v output - off when suspended



MECH\_X Y is a mechanical hole that the hole size is X mm and padstack is Y mm.  
J18, J19 and J27 are M1.8