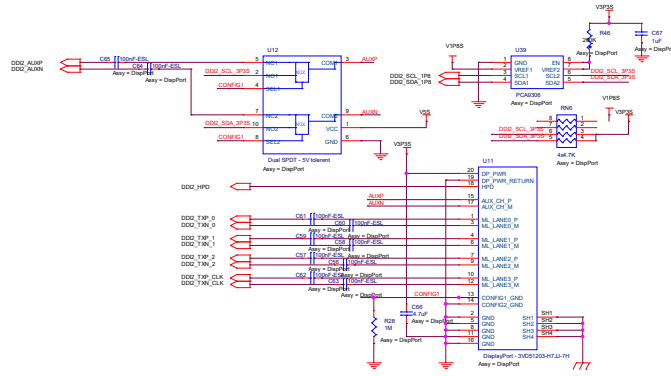
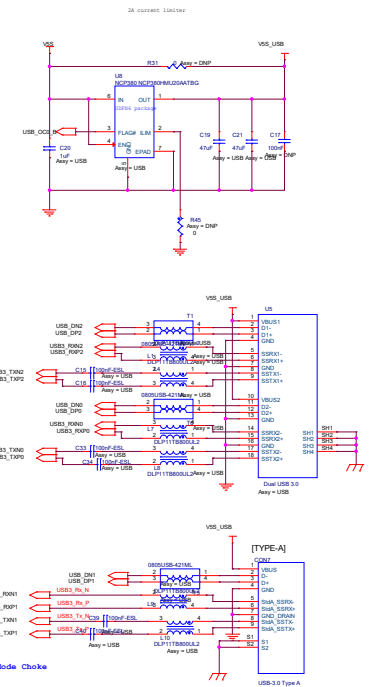


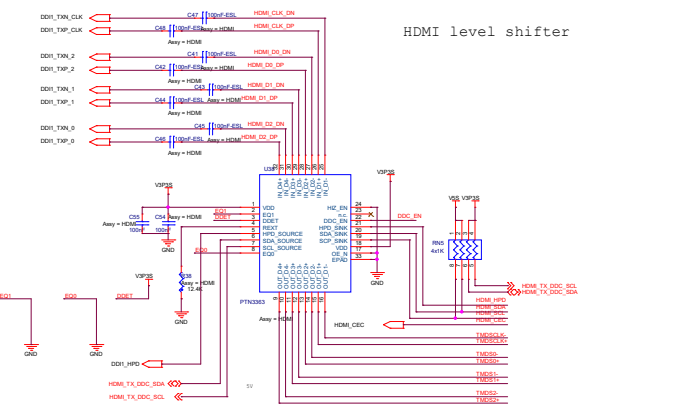
DP++ connector



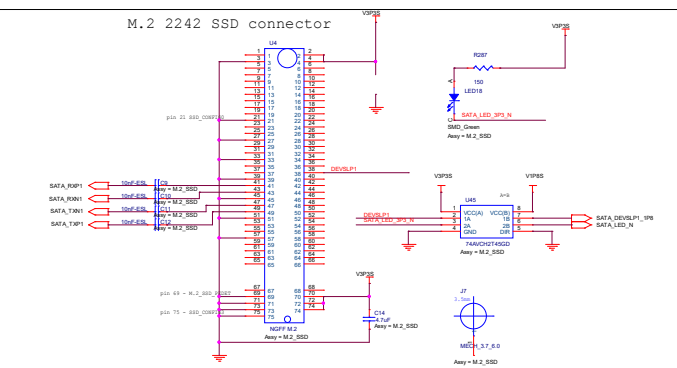
3x USB 3.0 out



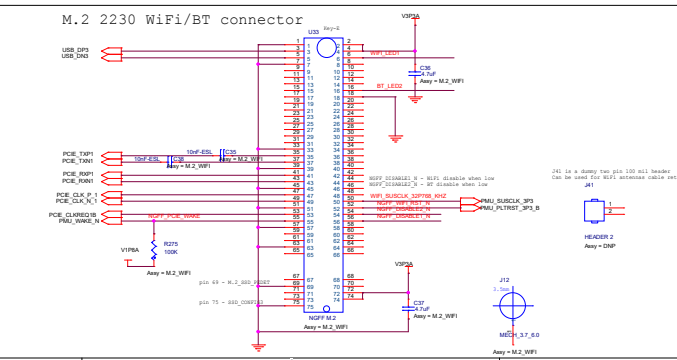
HDMI level shifter



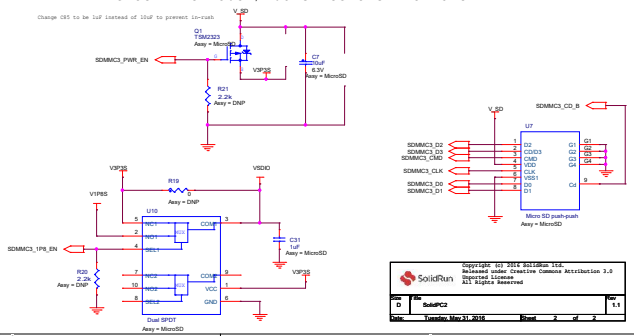
M.2 2242 SSD connector



M.2 2230 WiFi/BT connector



MicroSD with 3.3v/1.8 switchover for UHS-1



Review(P1): Why are the coupling capacitors applied to Tx path and not Rx.