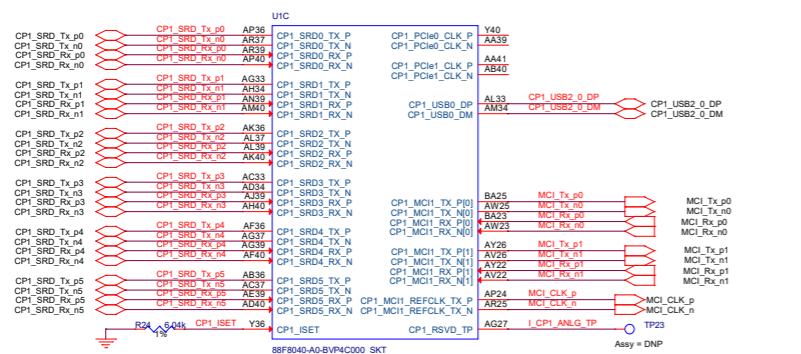
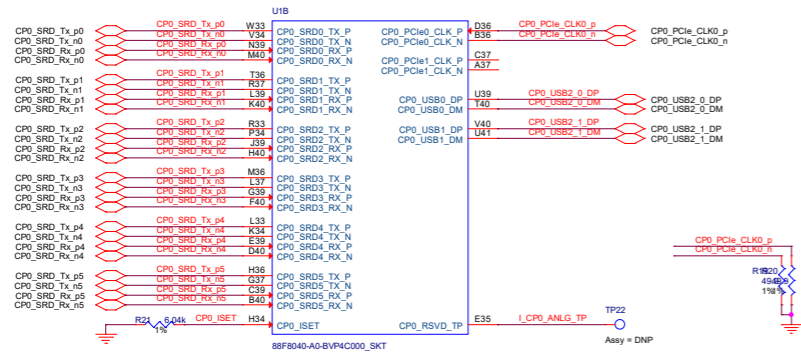
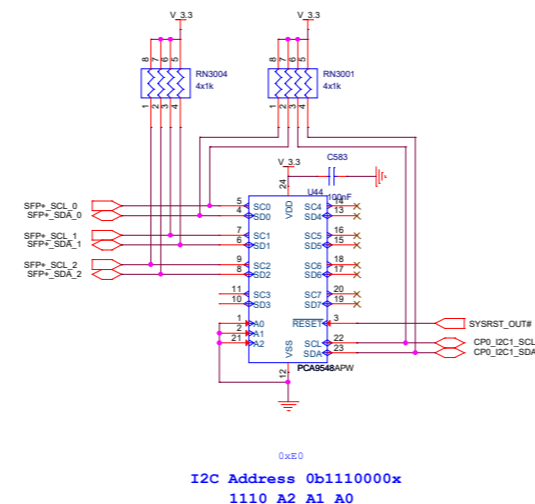


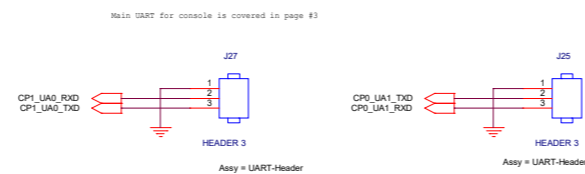
Processor SERDESes



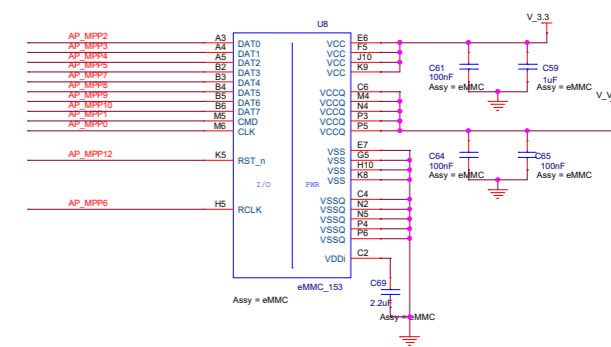
I2C Mux to SFP and dual SFP+ connectors



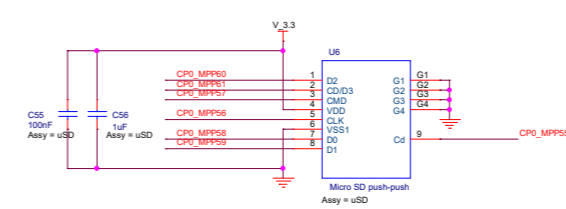
UART Headers



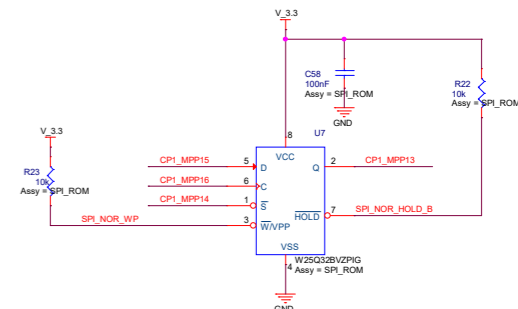
eMMC (bootable)



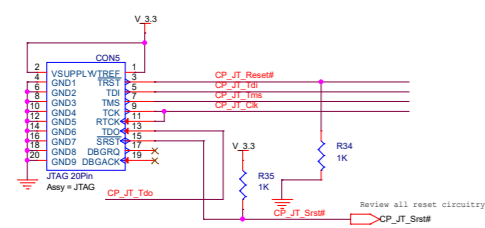
micro SD connector (bootable)



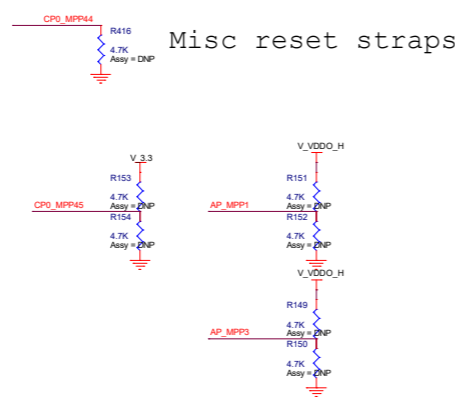
SPI Flash (bootable)



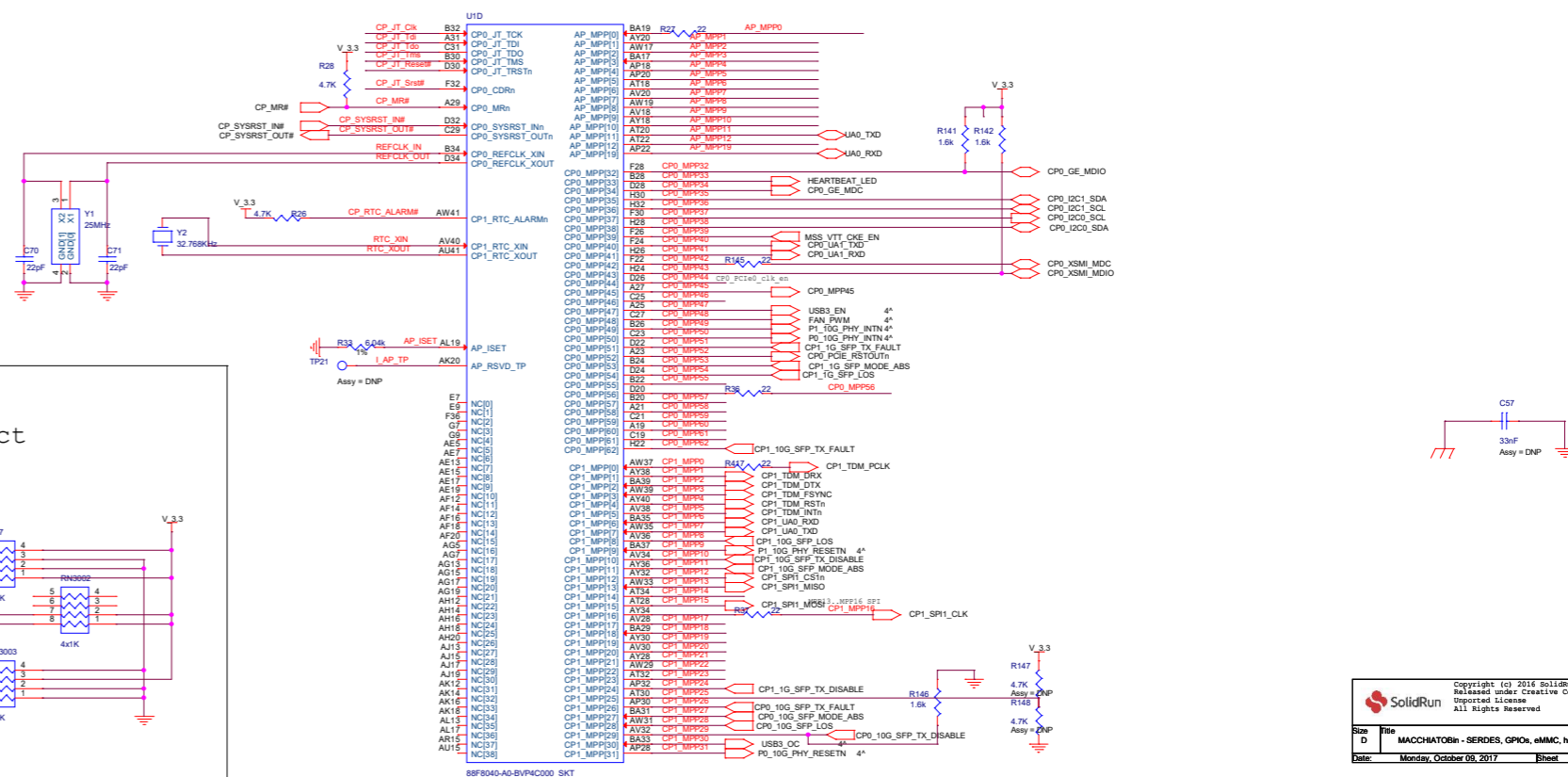
JTAG Connector



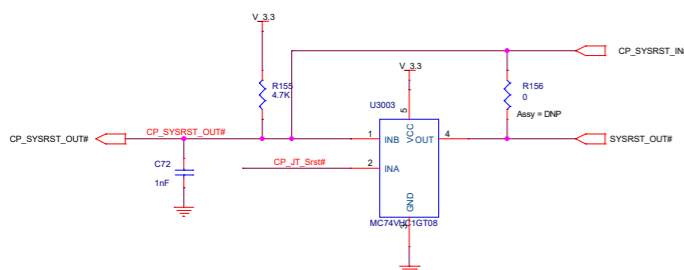
Misc reset straps



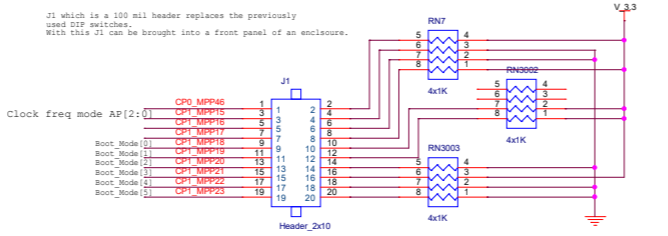
Processor GPIOs, JTAG and Crystals



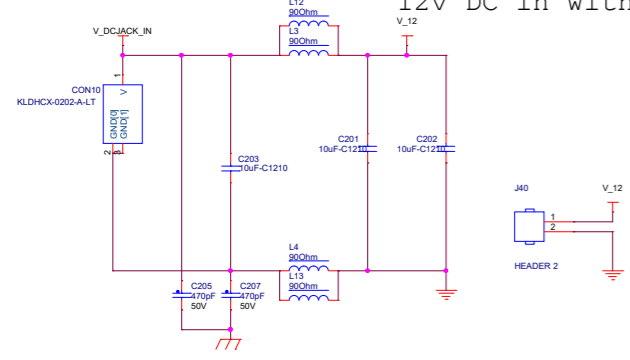
Reset logic



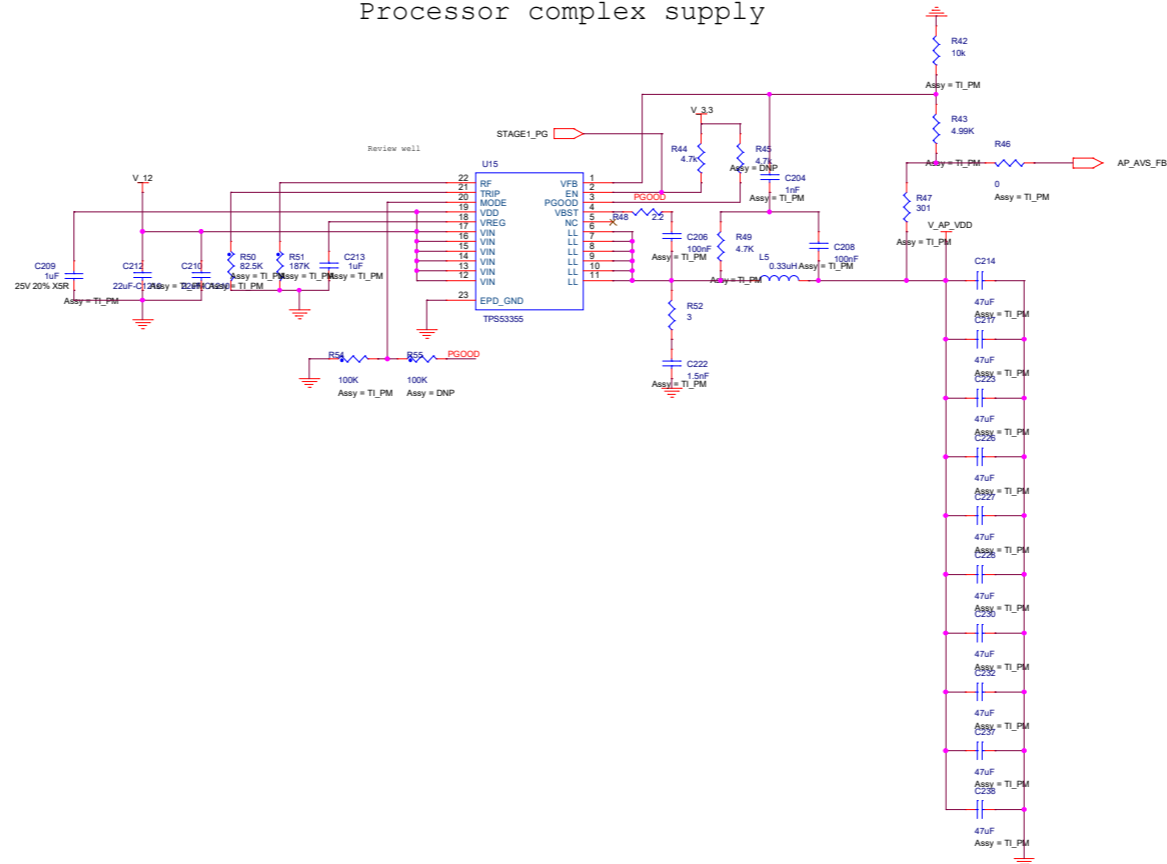
Boot and frequency select



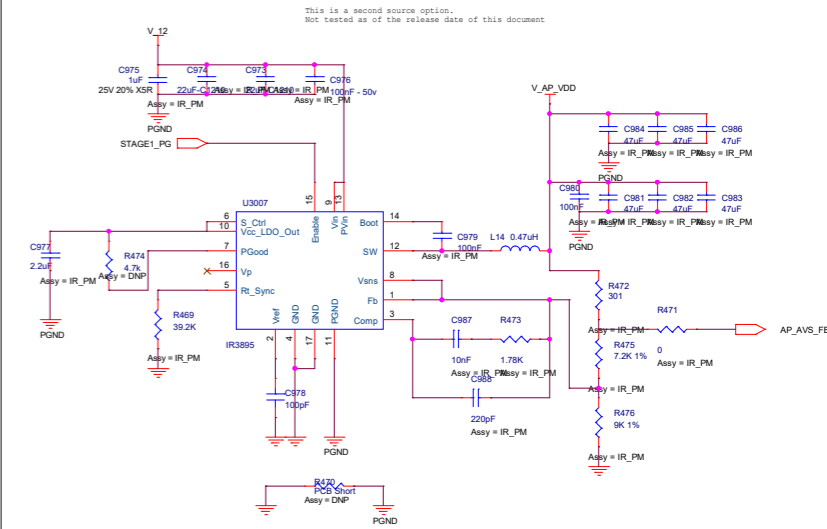
12v DC in with optional header



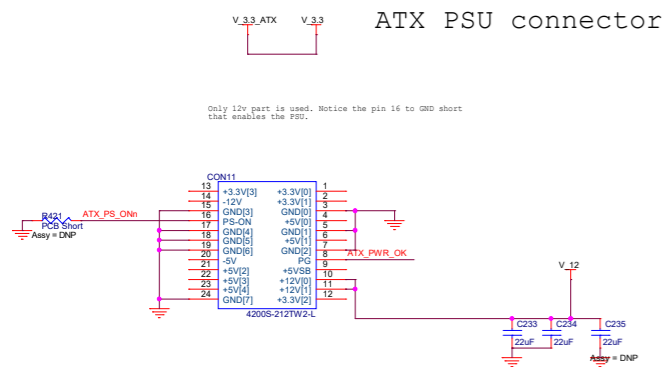
Processor complex supply



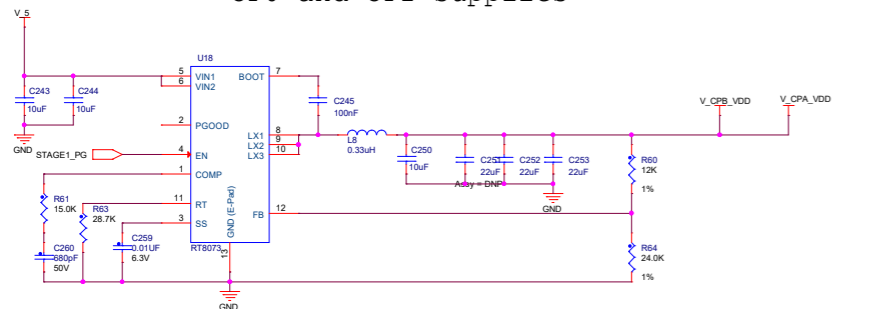
Alternative processor complex supply



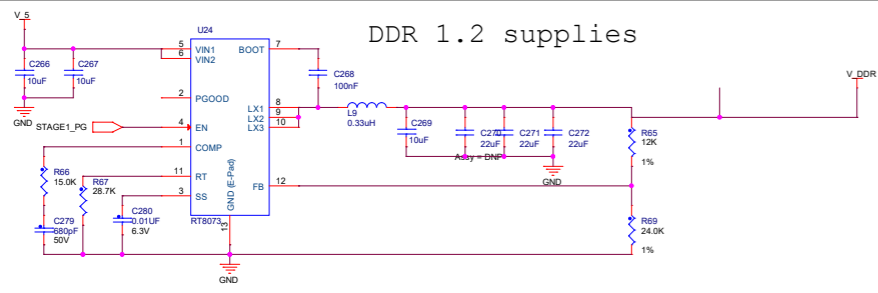
ATX PSU connector



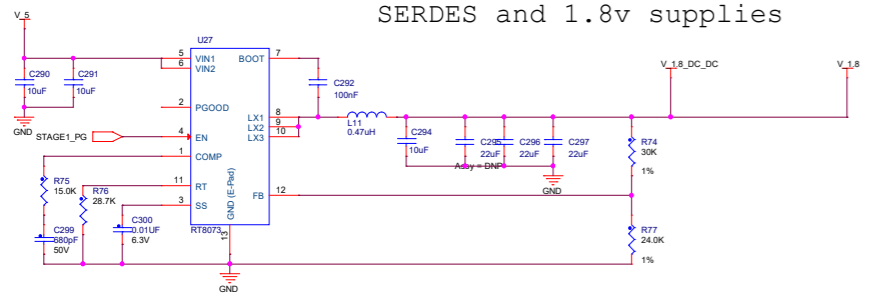
CP0 and CP1 supplies



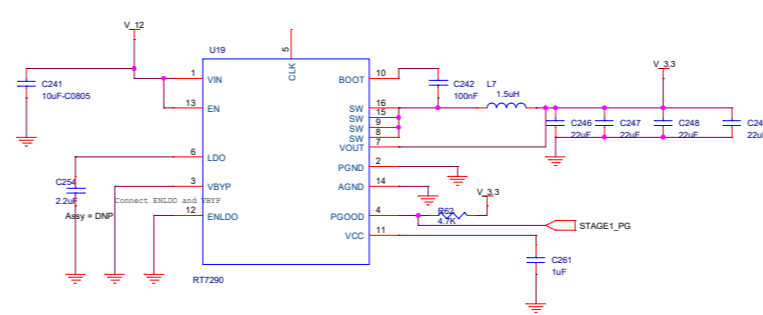
DDR 1.2 supplies



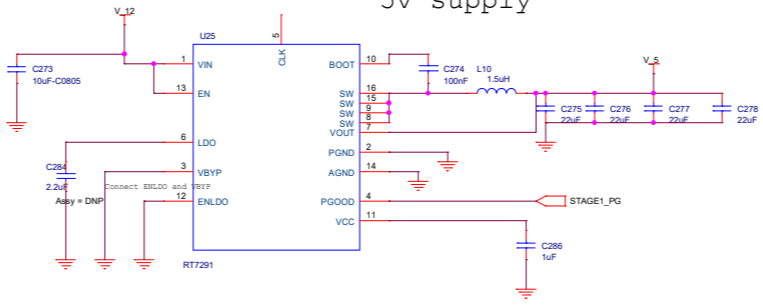
SERDES and 1.8v supplies



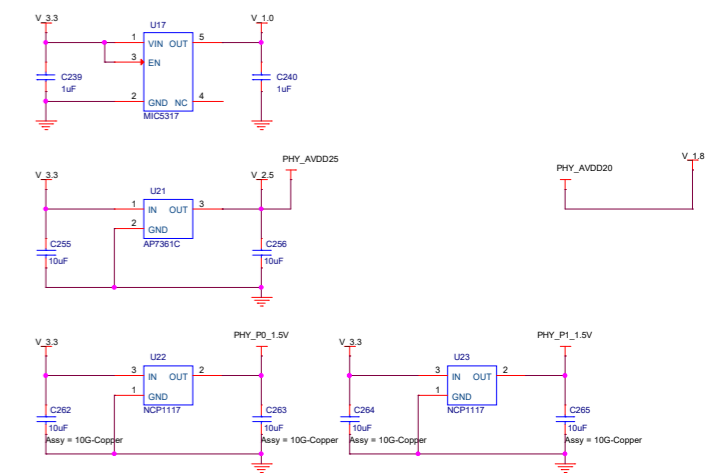
3.3v supply



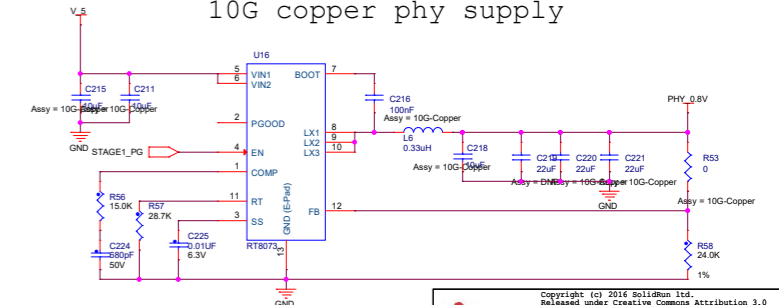
5v supply



Misc LDOs



10G copper phy supply



1Gbps Ethernet copper

