

# SOLIDRUN COM EXPRESS TYPE 7 CARRIER BOARD

Rev 1.0

PAGE NO.	DESCRIPTION
01	INDEX
02	REVISION NOTES
03	
04	
05	
06	
07	
08	
09	
10	
11	
12	
13	
14	
15	
16	
17	
18	
19	
20	

PAGE NO.	DESCRIPTION
21	
22	
23	
24	
25	
26	
27	
28	
29	
30	
31	
32	
33	
34	
35	
36	
37	
38	
39	
40	

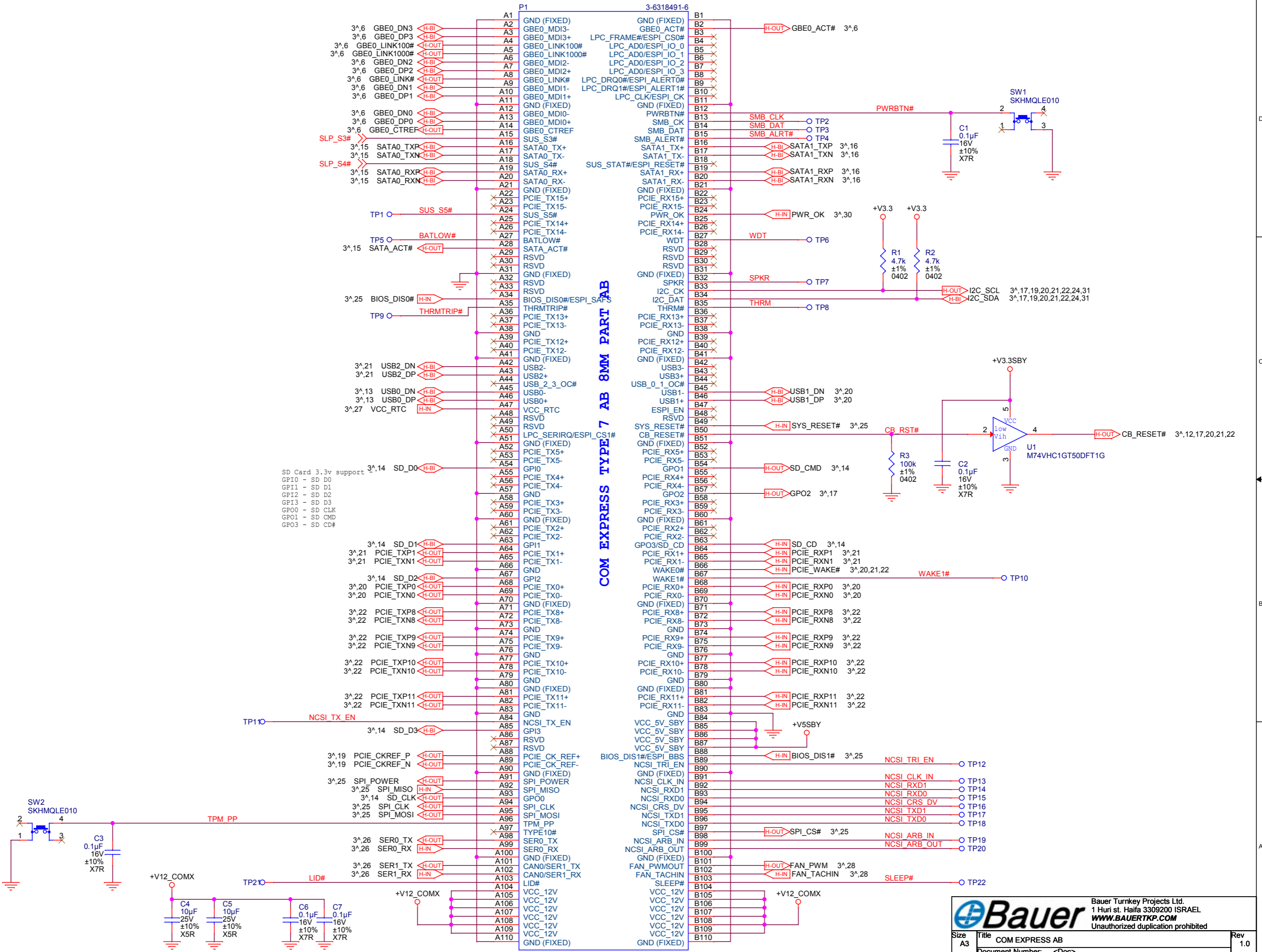
		Bauer Turnkey Projects Ltd. 1 Huri st. Haifa 3309200 ISRAEL WWW.BAUERTKP.COM Unauthorized duplication prohibited	
		Size A4	Title CEx7-CB
Date: Wednesday, March 07, 2018		Document Number: <Doc>	
Sheet 1 of 32			

## REVISION NOTES

2018-03-05 Changes after mechanical review

- \* Only one SIM socket left in the schematic
- \* The M.2 slot should fit 2280 and 2242 - NO SCHEMATIC CHANGE
- \* Micro USB - Change to CO00005 - NO SCHEMATIC CHANGE
- \* Changed battery holder to BT00006, BT00005 in parallel, NPOP
- \* No change in P5 P/N, TH 100MIL used as previously
- \* Reset push button SW7 changed to RA. SW00001 used
- \* LED15..17 (SW LEDS) and LD24 (POWER) changed to RA type for back panel use.
- \* USB 3.0 confirmed as CO00046
- \* Tact switches (vertical) changed to sw00017

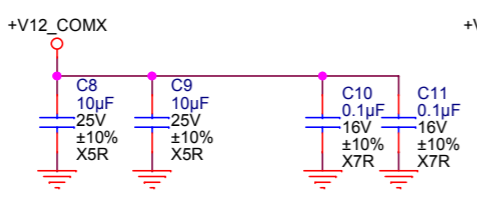
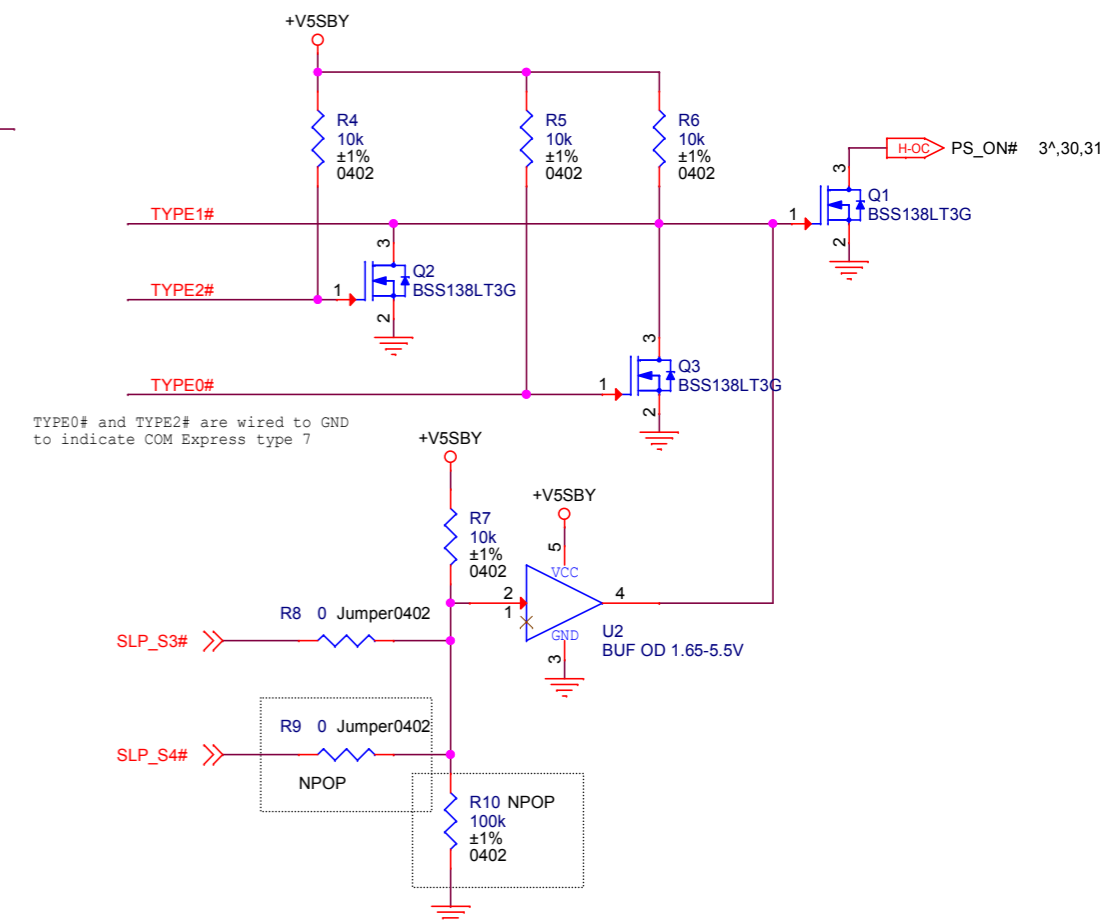
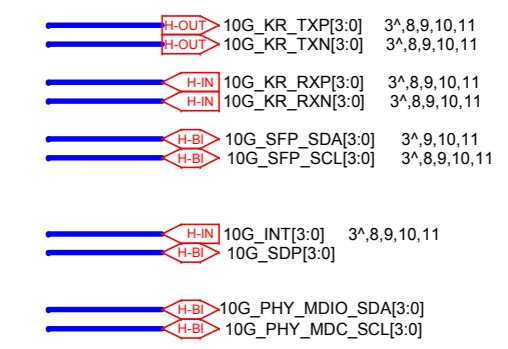
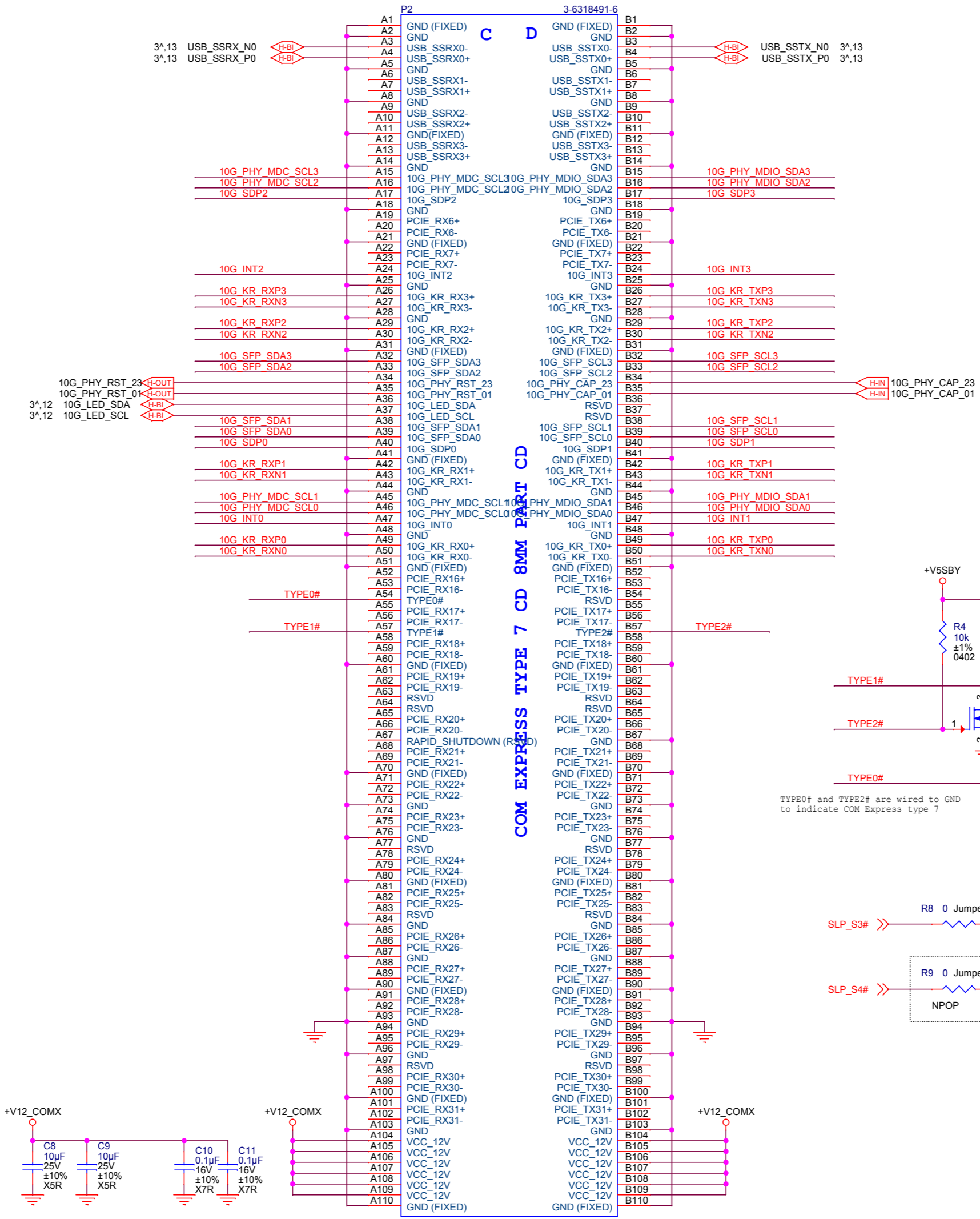


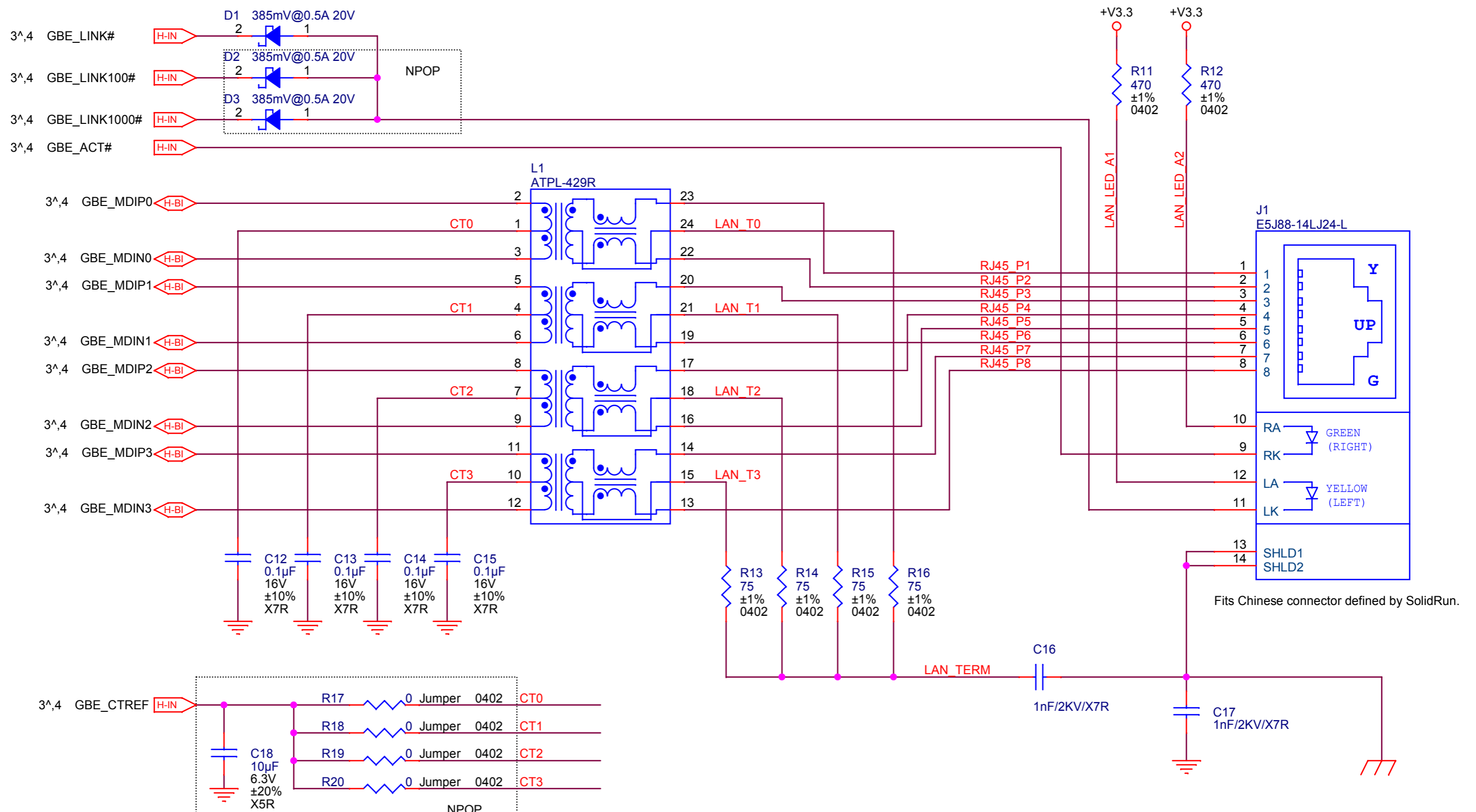


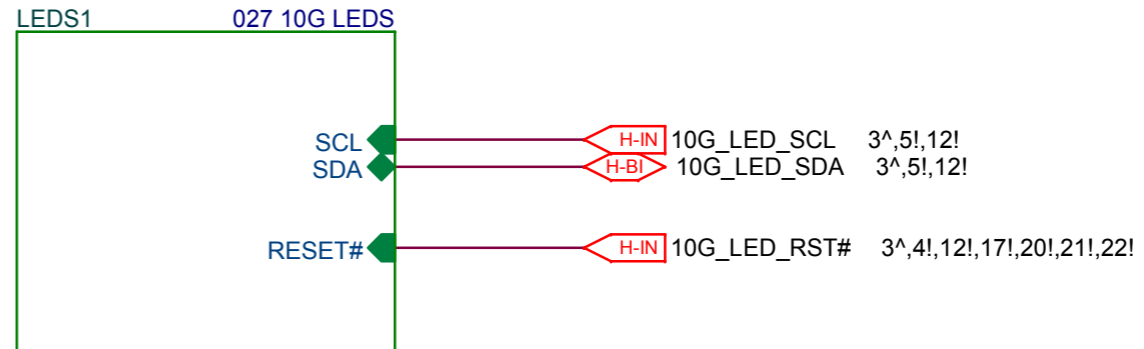
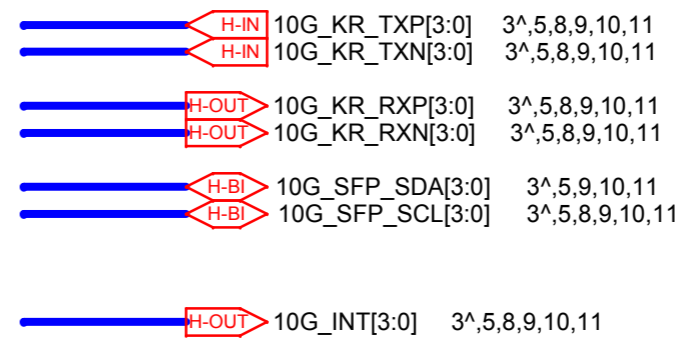
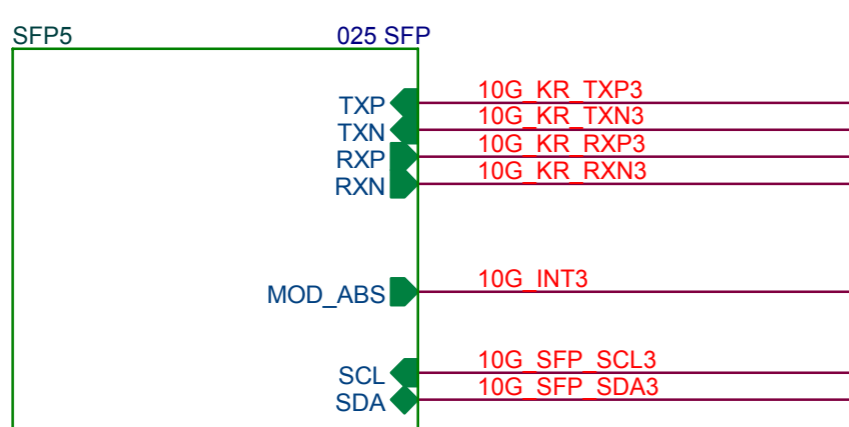
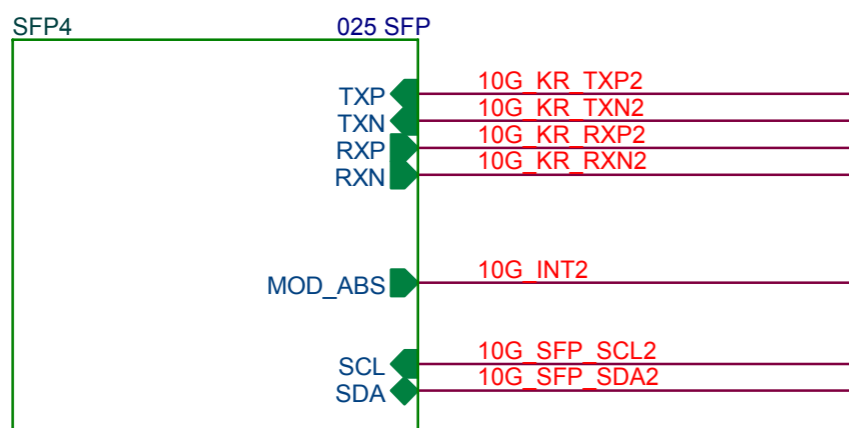
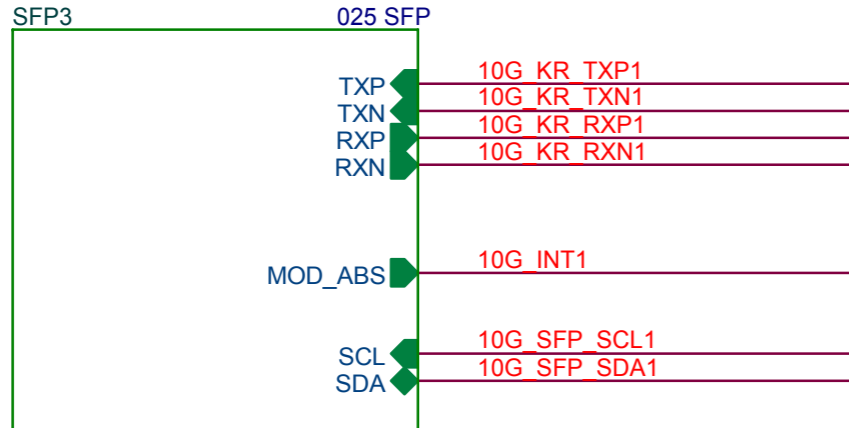
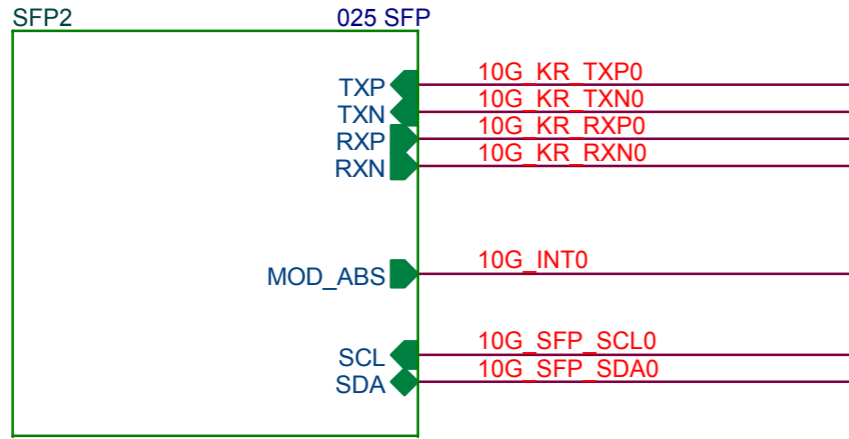
COM EXPRESS TYPE 7 AB 8MM PART AB

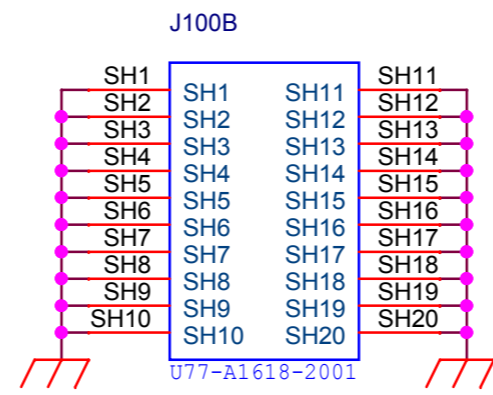
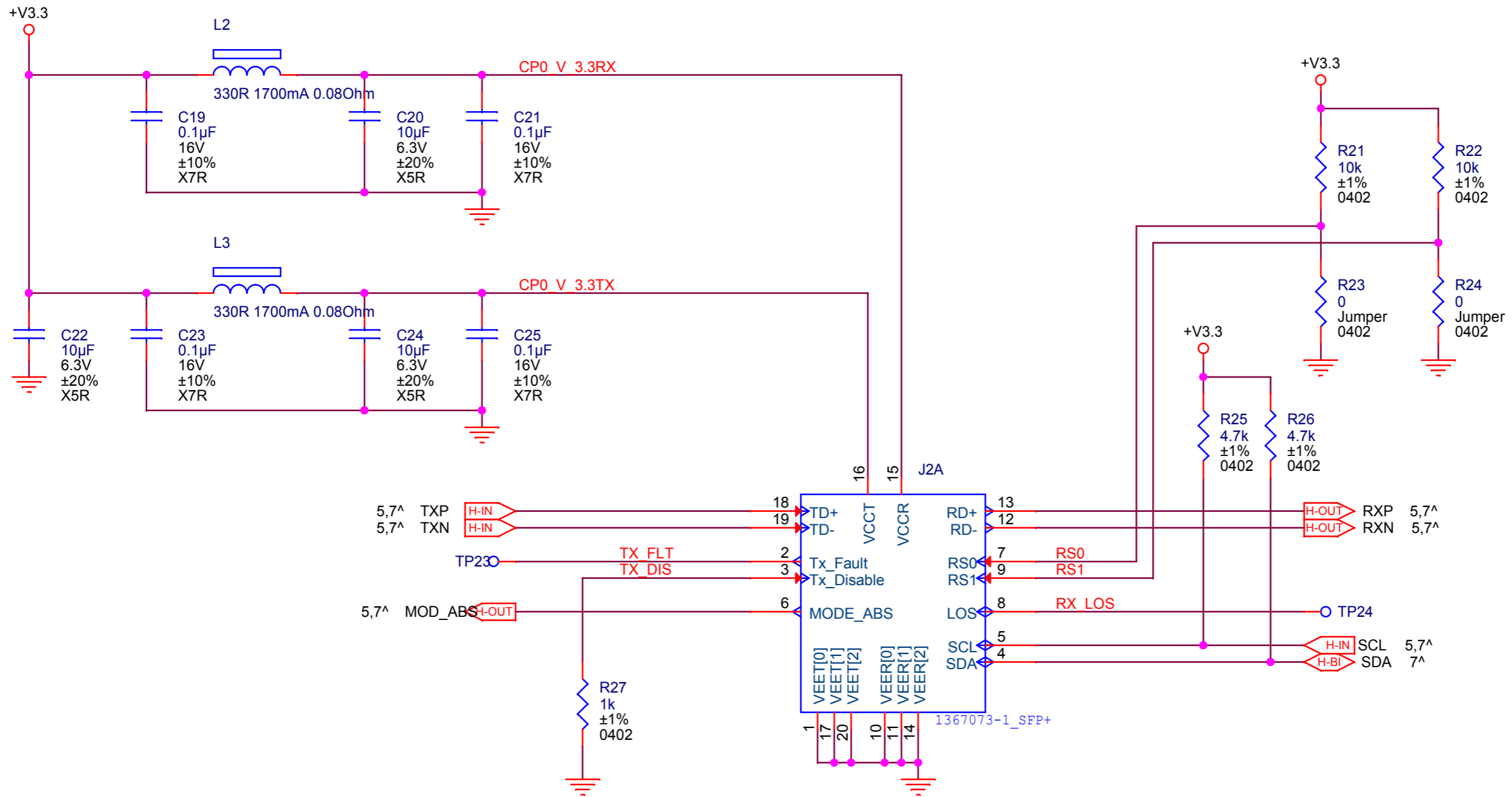
SD Card 3.3v support  
 GP10 - SD D0  
 GP11 - SD D1  
 GP12 - SD D2  
 GP13 - SD D3  
 GP00 - SD CLK  
 GP01 - SD CMD  
 GP03 - SD CD#

		Bauer Turnkey Projects Ltd. 1 Huri st. Haifa 3309200 ISRAEL <b>WWW.BAUERTKP.COM</b> Unauthorized duplication prohibited	
		Size A3 Title COM EXPRESS AB Document Number: <Doc> Date: Sunday, April 08, 2018	Sheet 4 of 32 Rev 1.0

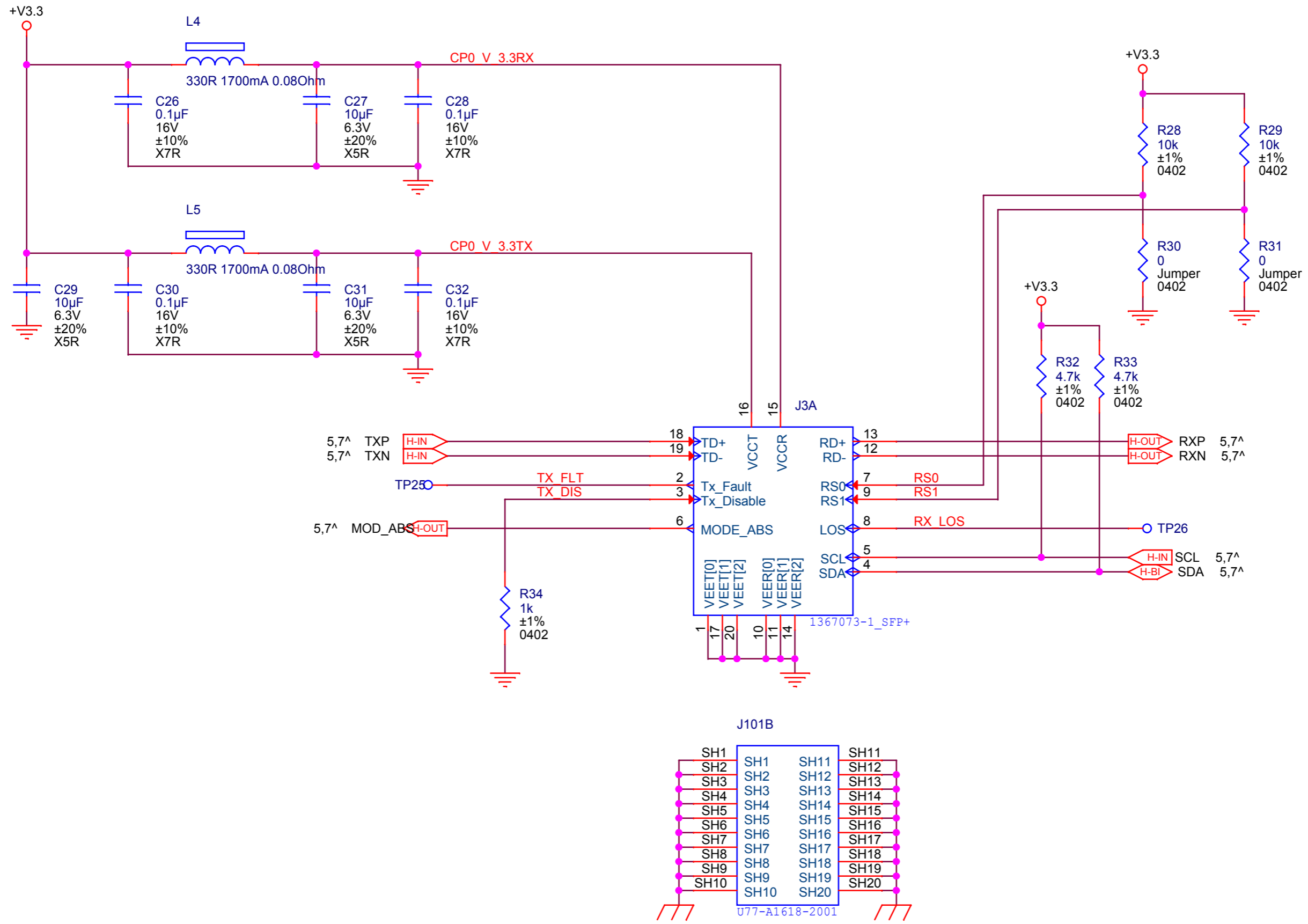


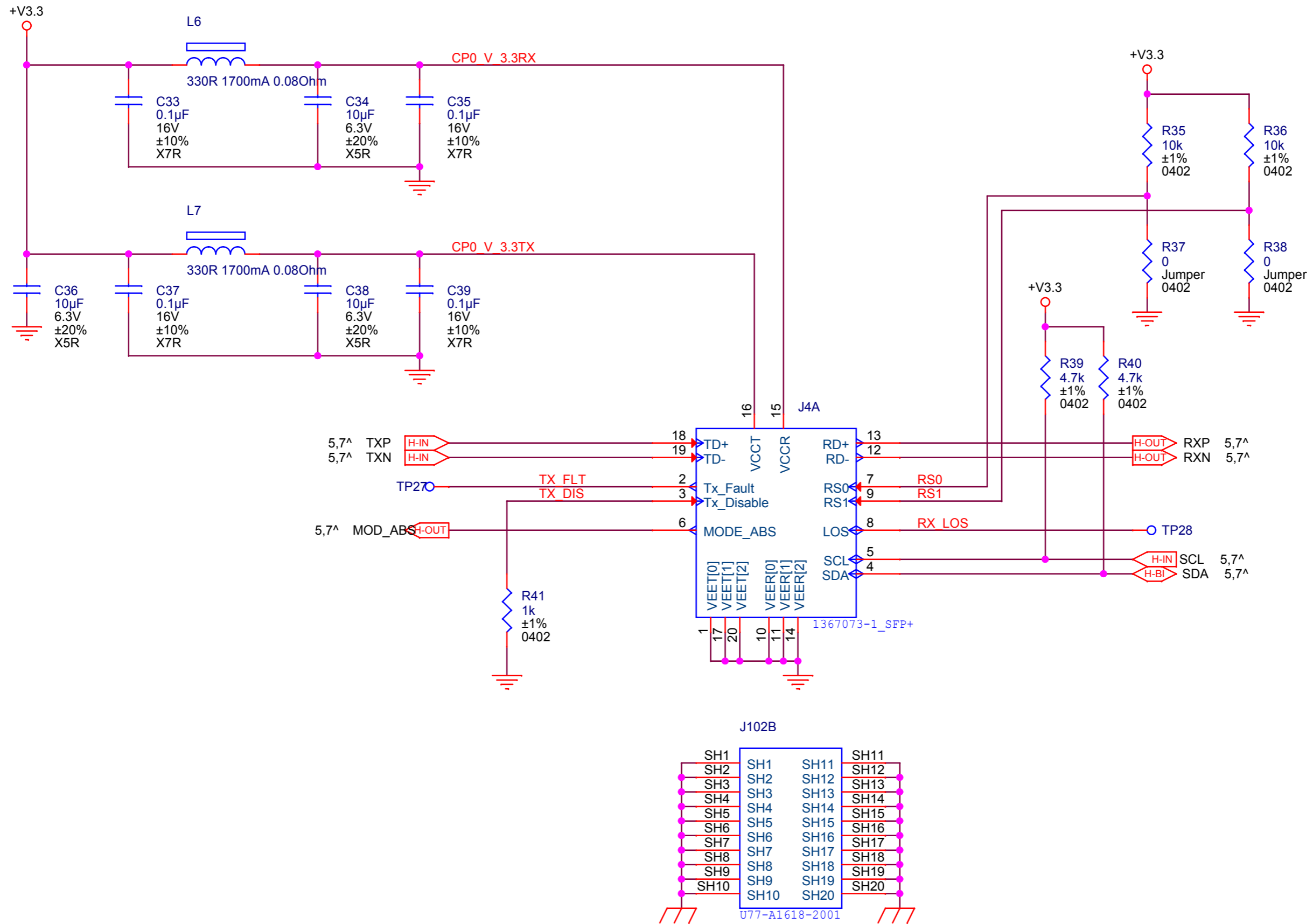


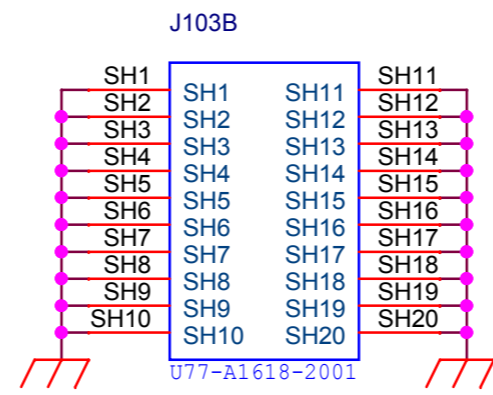
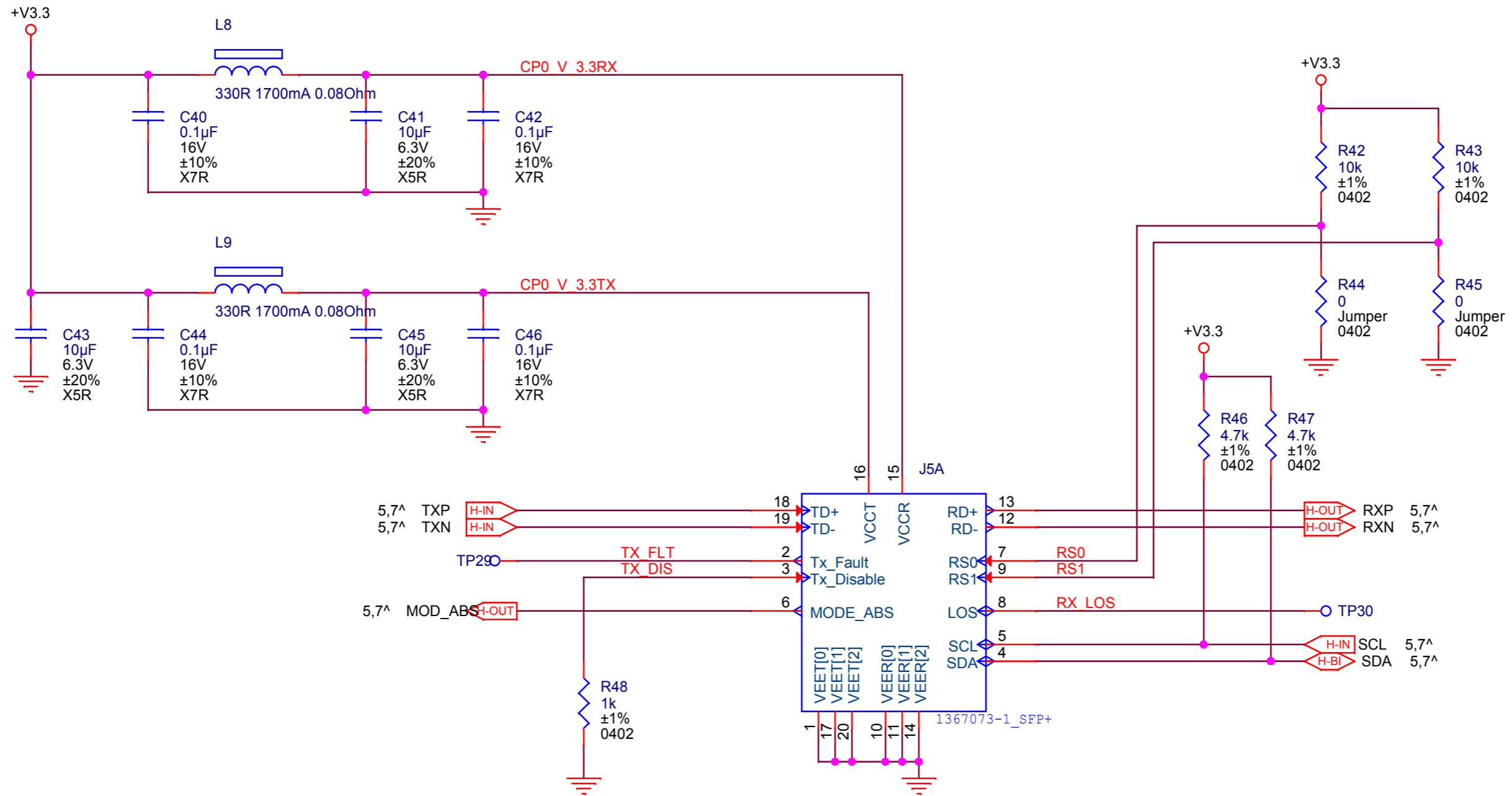




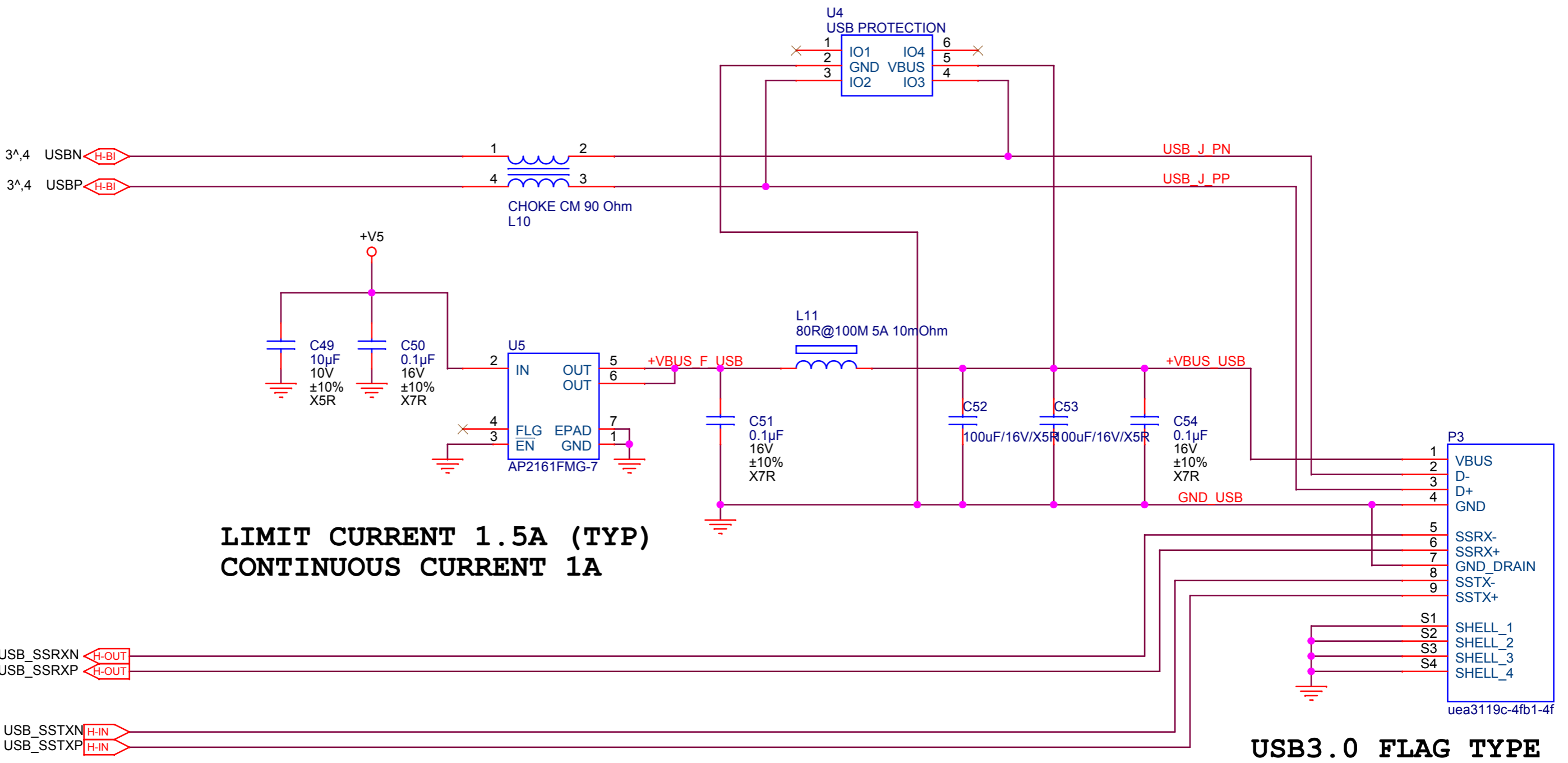






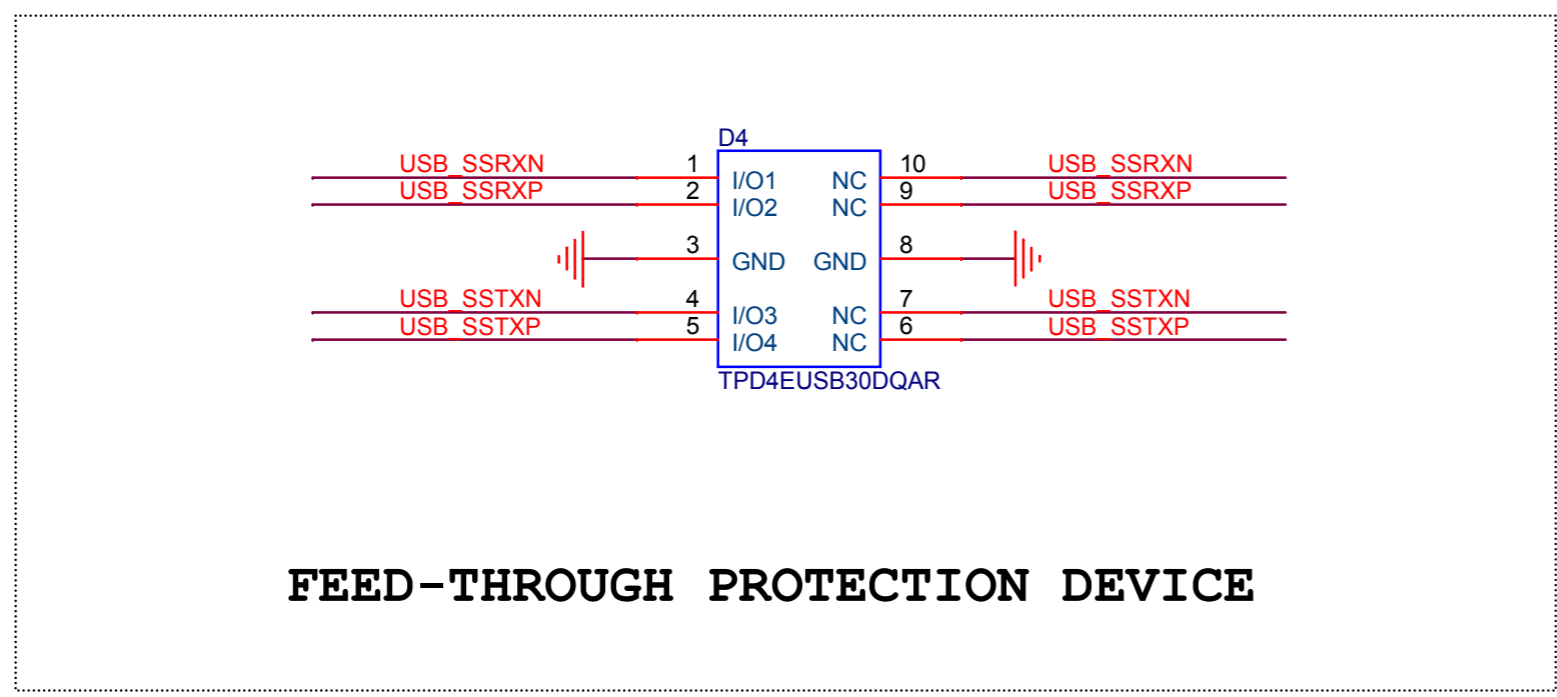






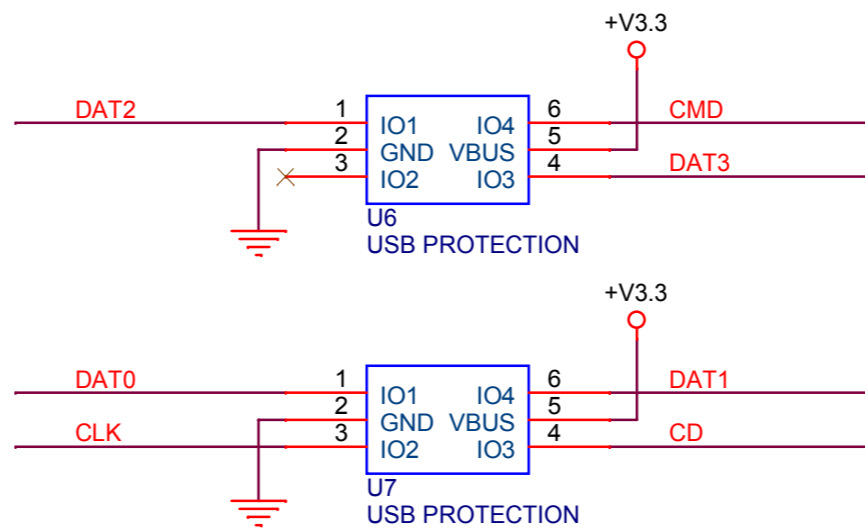
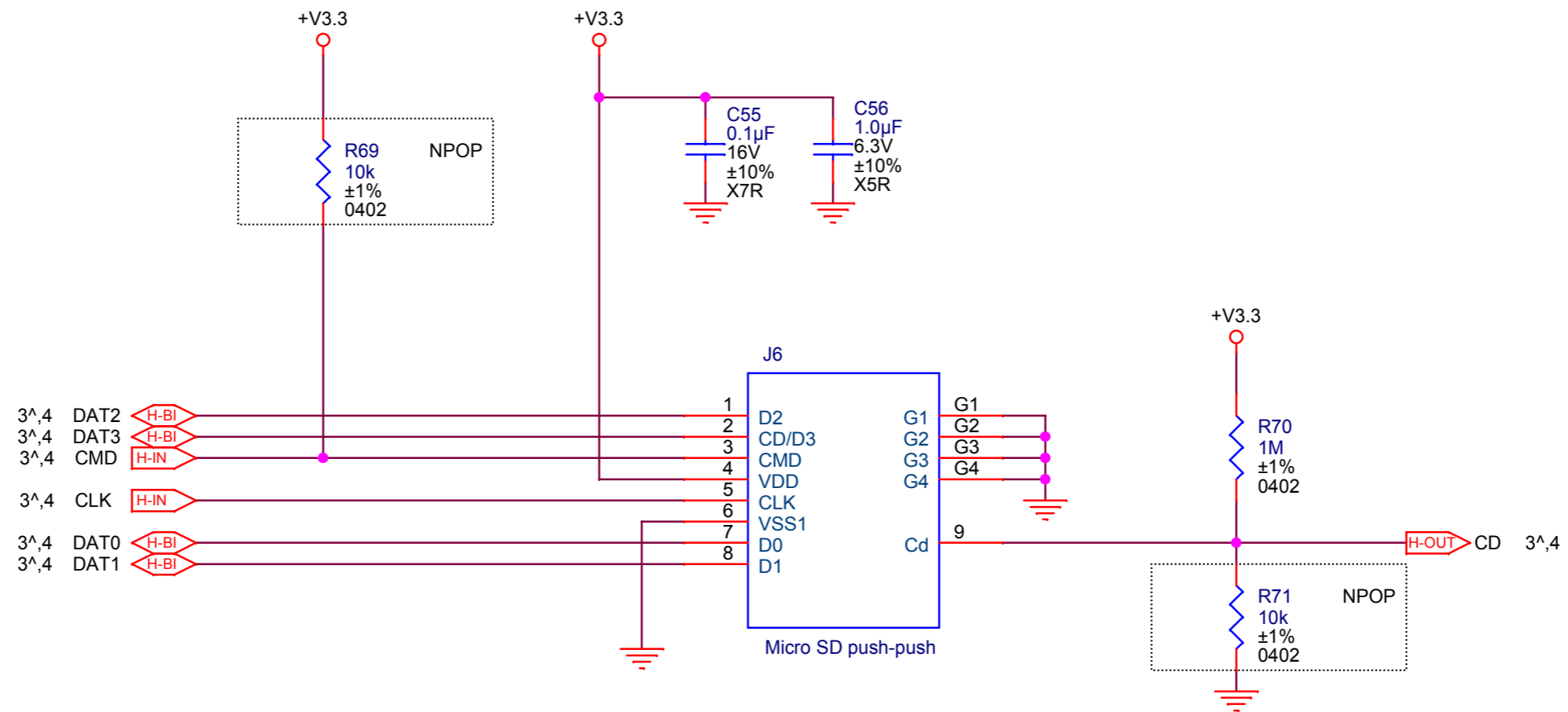
**LIMIT CURRENT 1.5A (TYP)  
CONTINUOUS CURRENT 1A**

**USB3.0 FLAG TYPE**

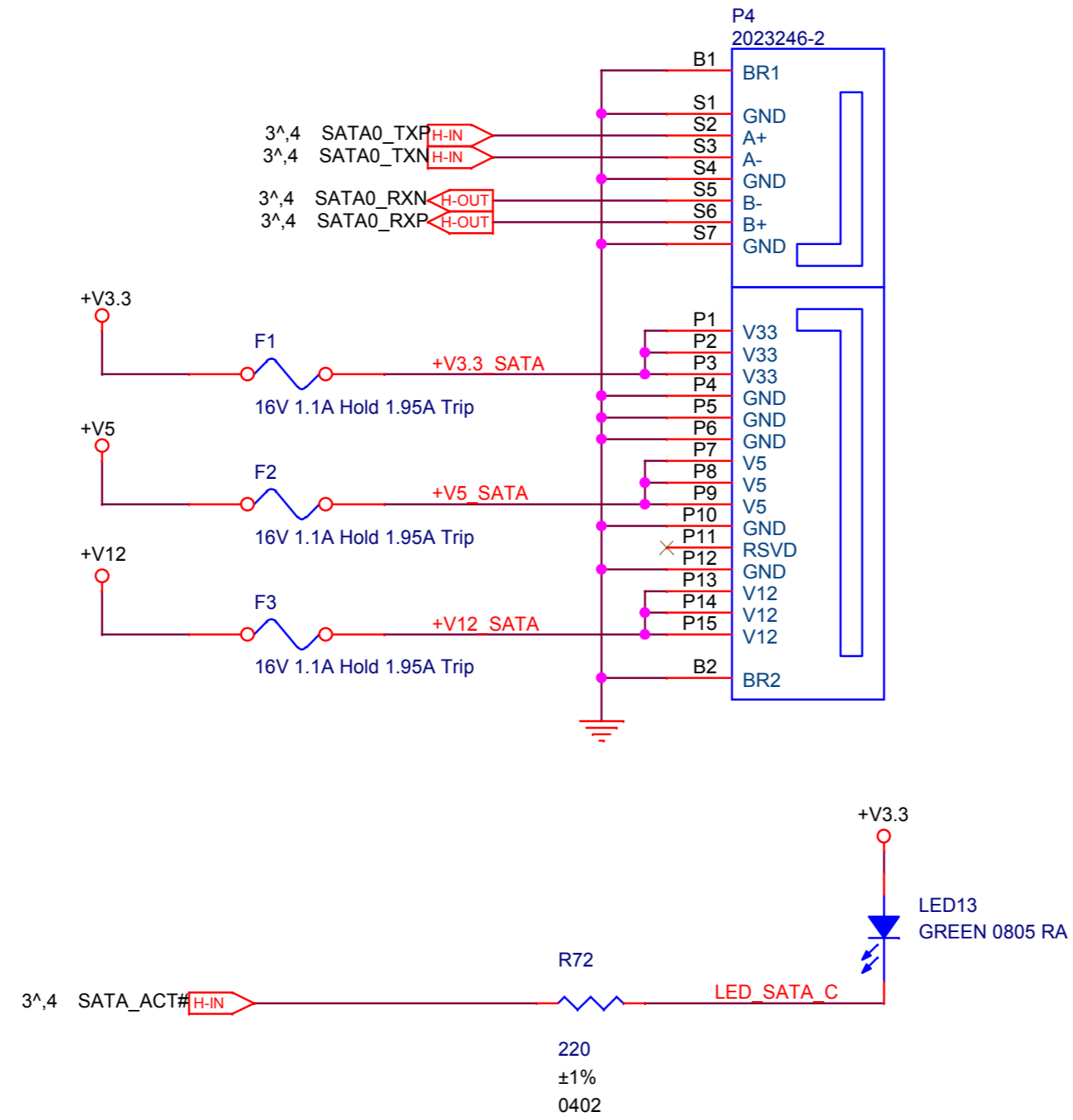


**FEED-THROUGH PROTECTION DEVICE**

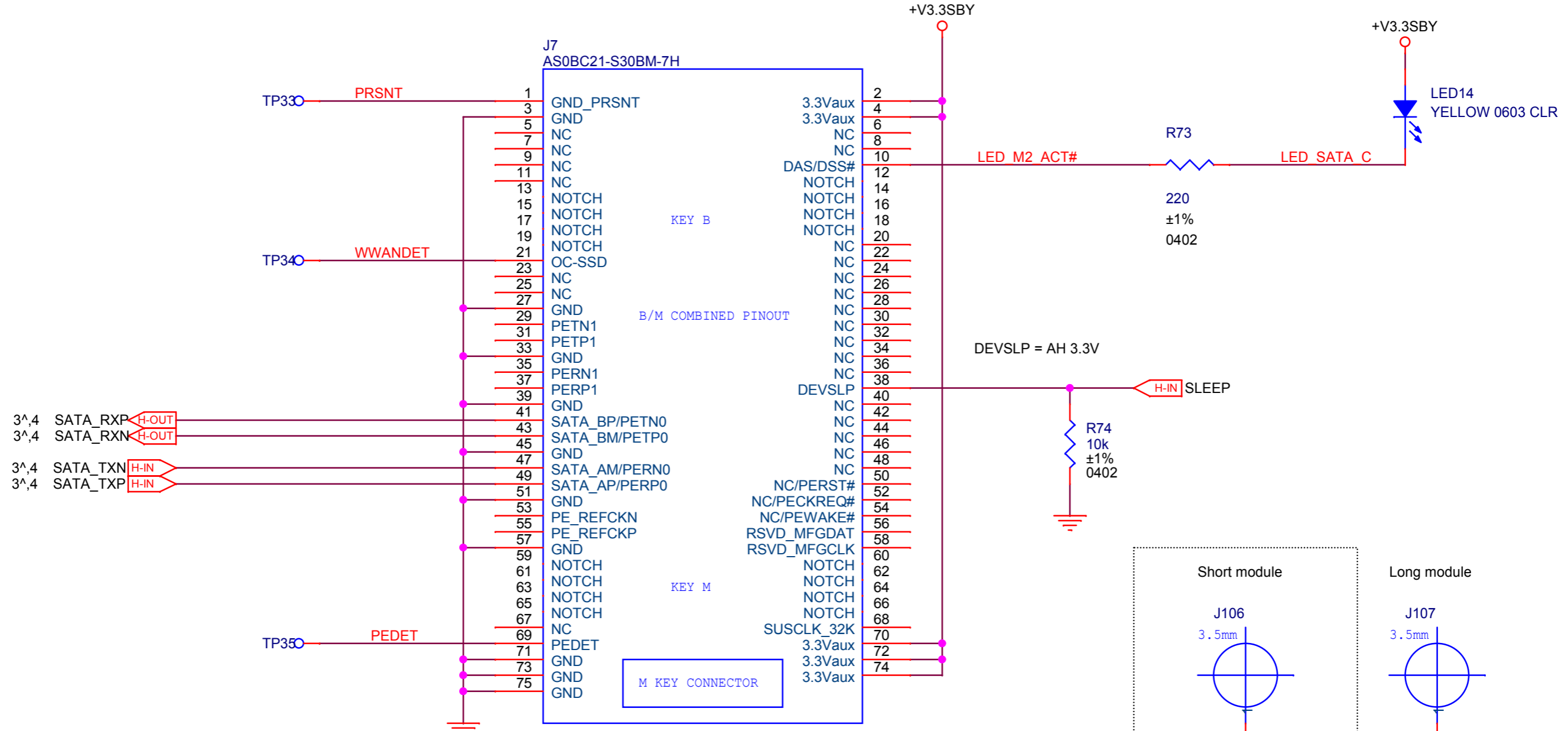
		Bauer Turnkey Projects Ltd. 1 Huri st. Haifa 3309200 ISRAEL <b>WWW.BAUERTKP.COM</b> Unauthorized duplication prohibited	
		Size A4	Title USB3.0 PORT
Date: Sunday, April 08, 2018		Document Number: 29689700500	
Sheet 13 of 32			



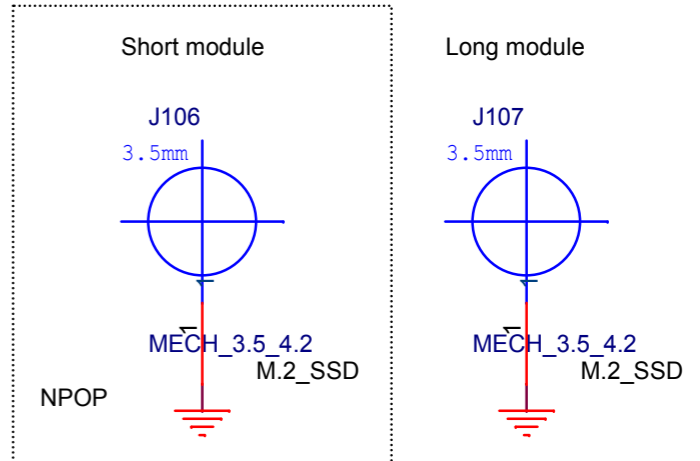
# SATA



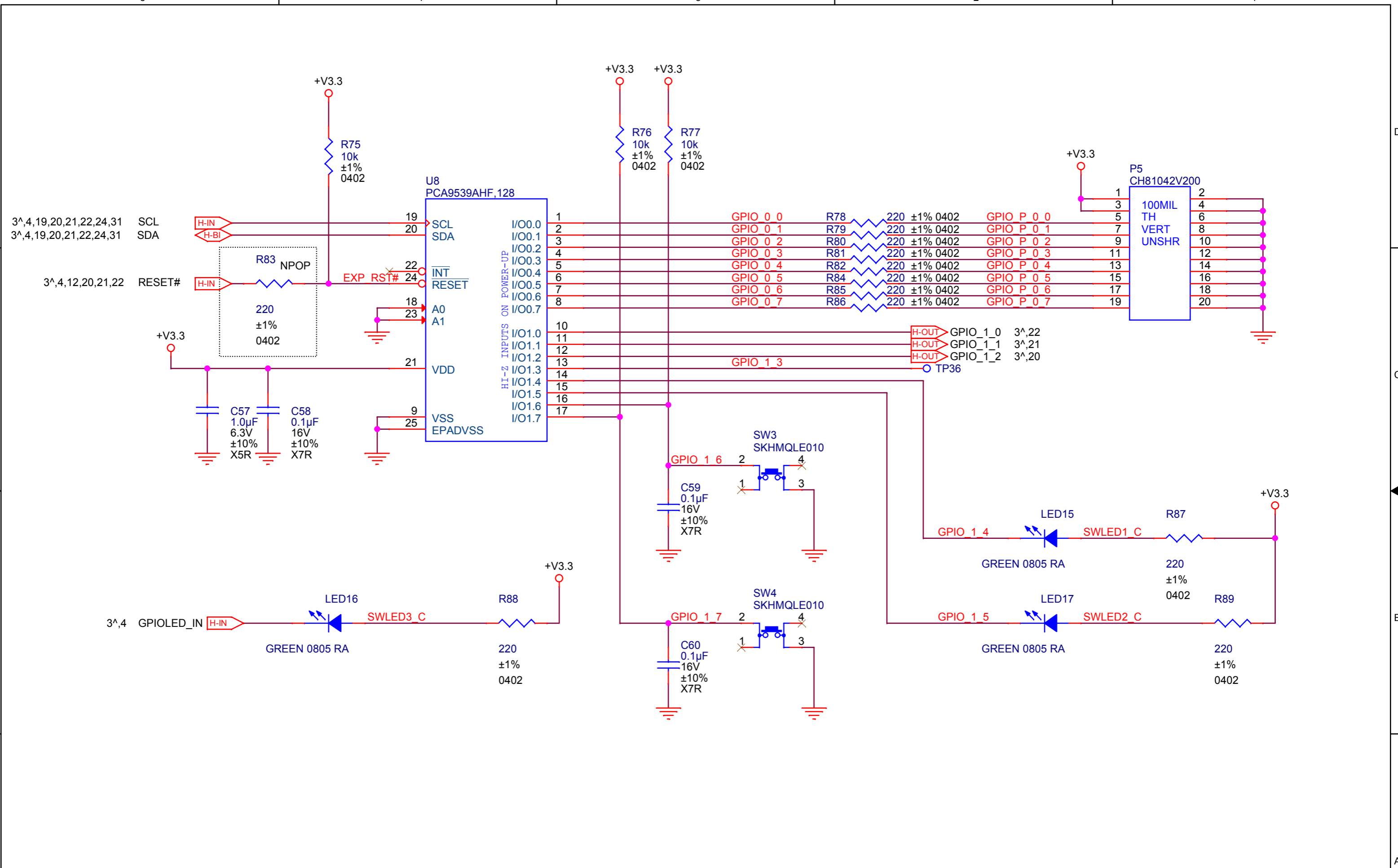
		Bauer Turnkey Projects Ltd. 1 Huri st. Haifa 3309200 ISRAEL <b>WWW.BAUERTKP.COM</b> Unauthorized duplication prohibited	
		Size A4 Title SATA PORT Document Number: <Doc>	Rev 1.0
Date: Sunday, April 08, 2018		Sheet 15 of 32	

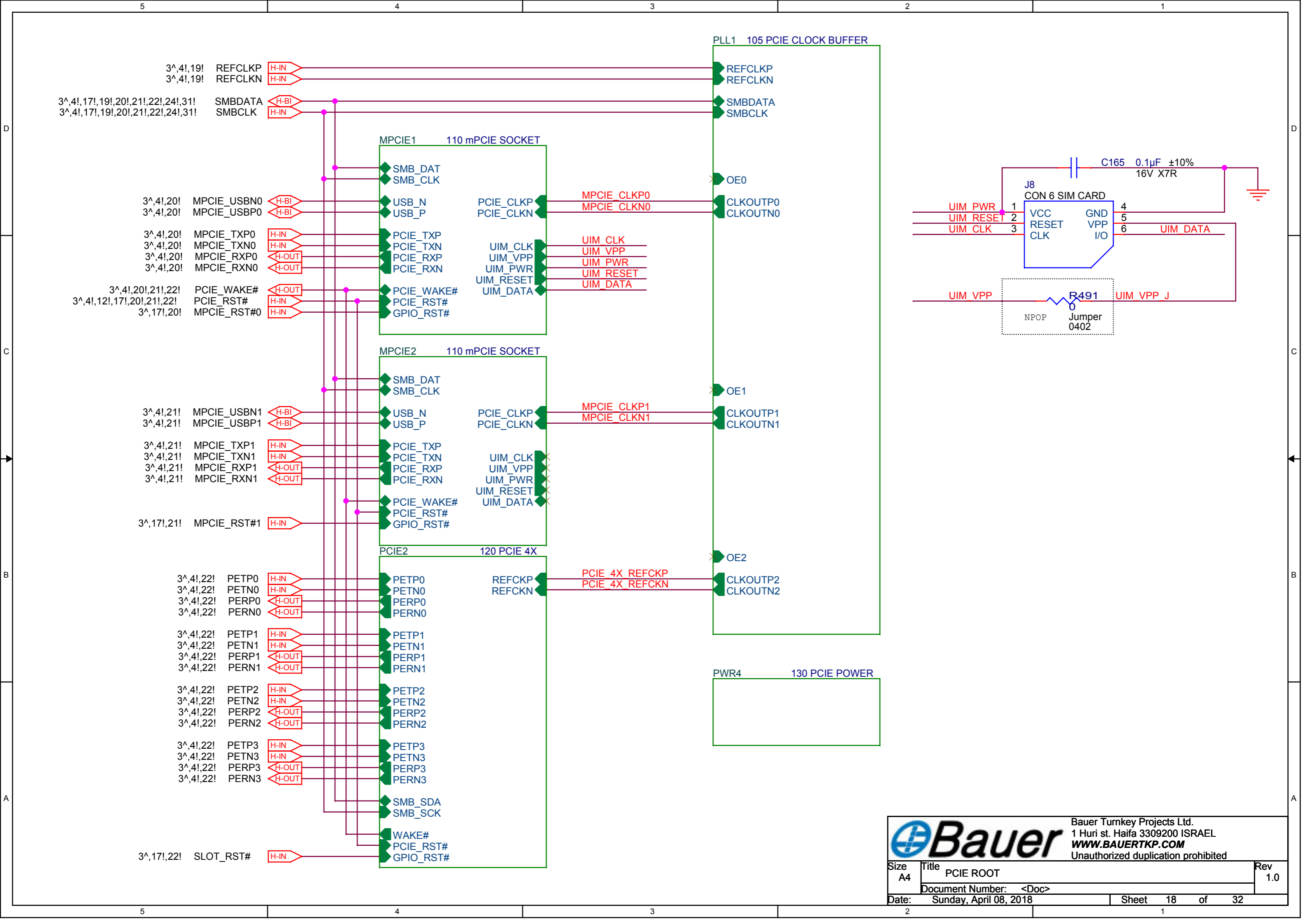


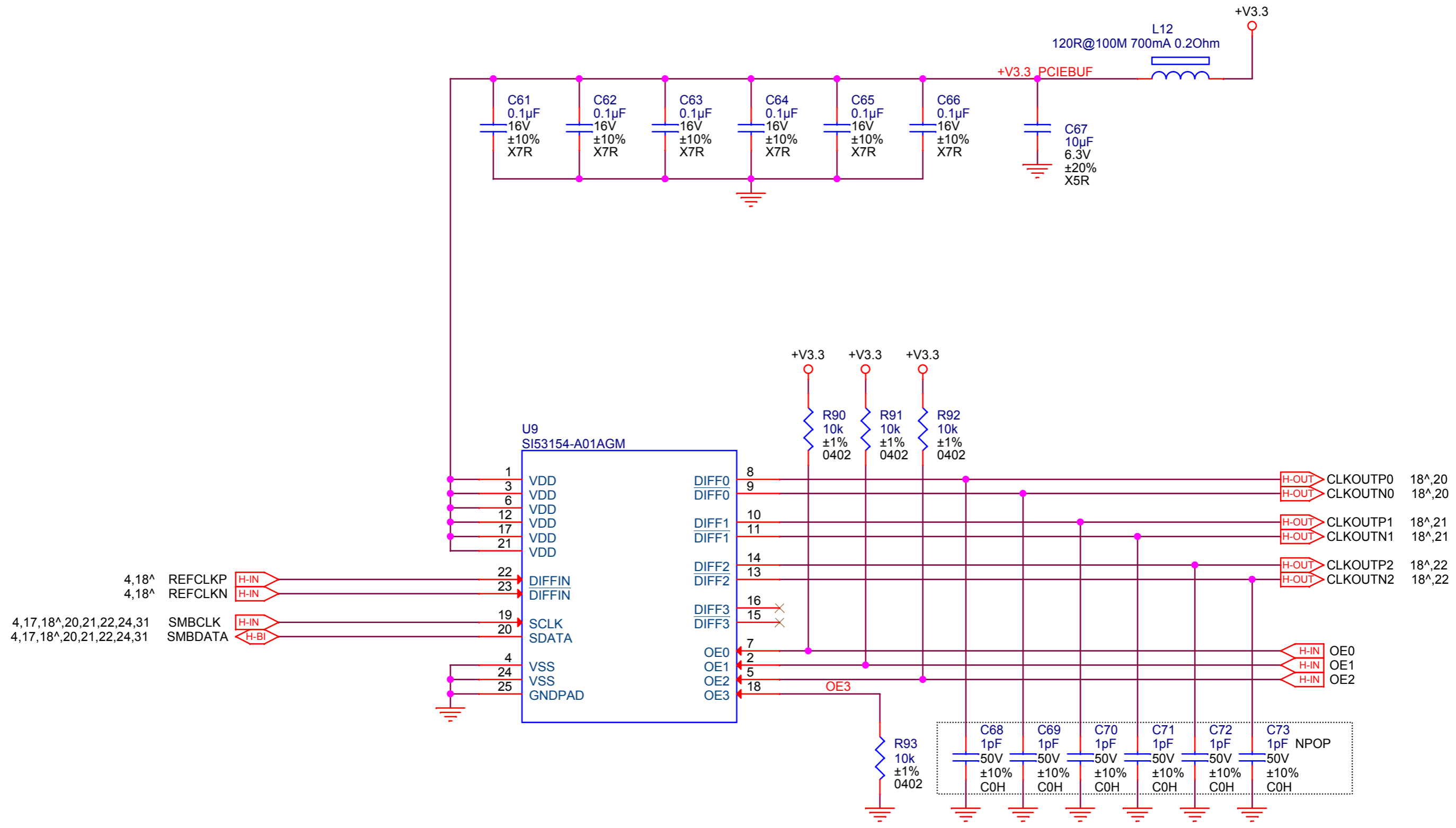
SATA HOST SIDE: A = TX, B = RX  
 PEDET pin 69 (Open-PCIe/GND-SATA on module)  
 Presence pin1 (GND on module)  
 WWAN/SSD IND pin 21 (GND-WWAN/Open-SSD on module)  
 USB3.0 IND pin 75 (Open-USB3.0/GND-Other on module)







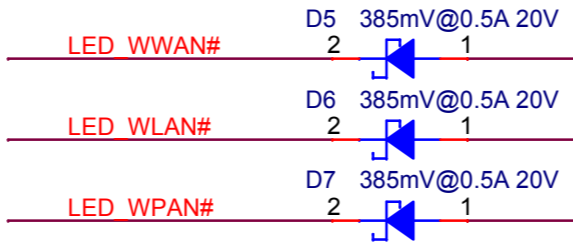
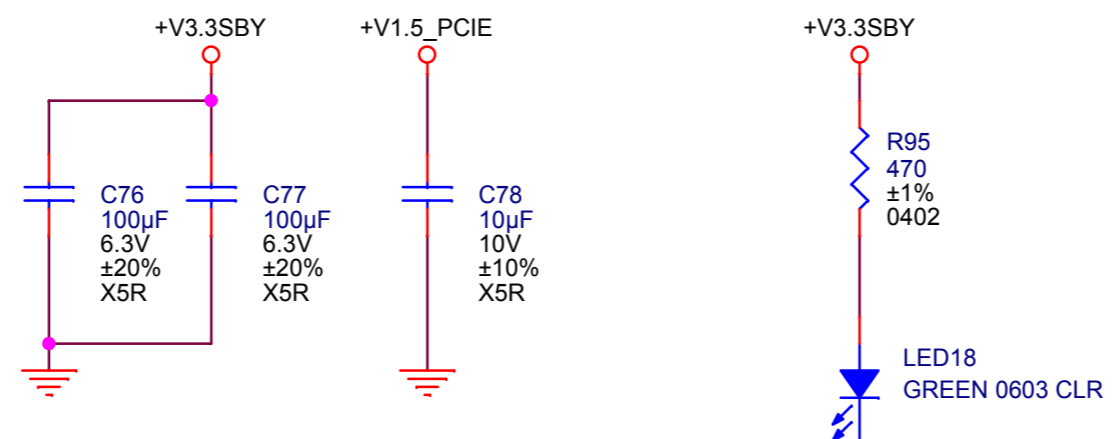
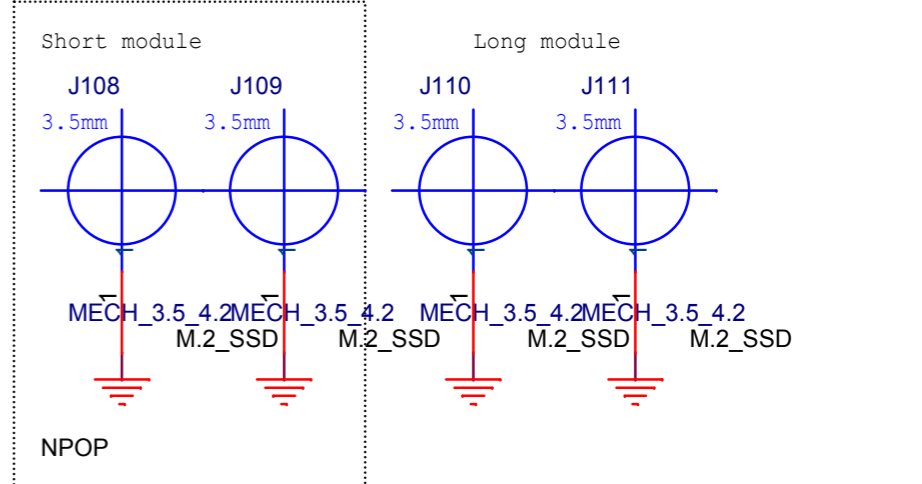
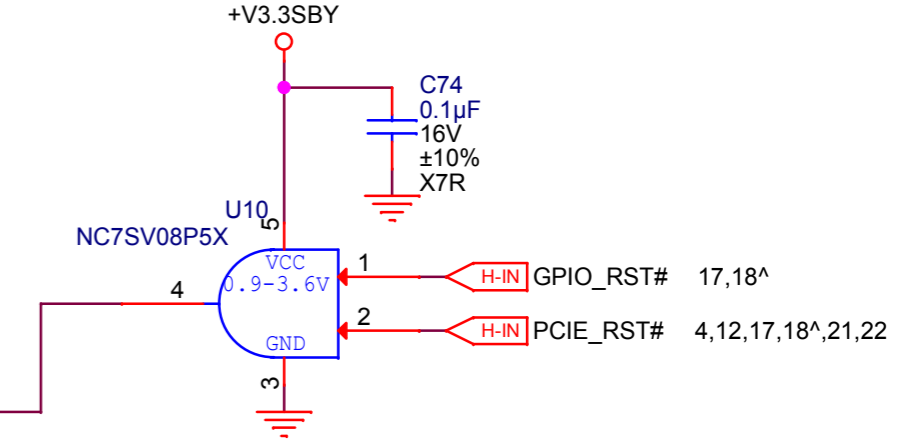
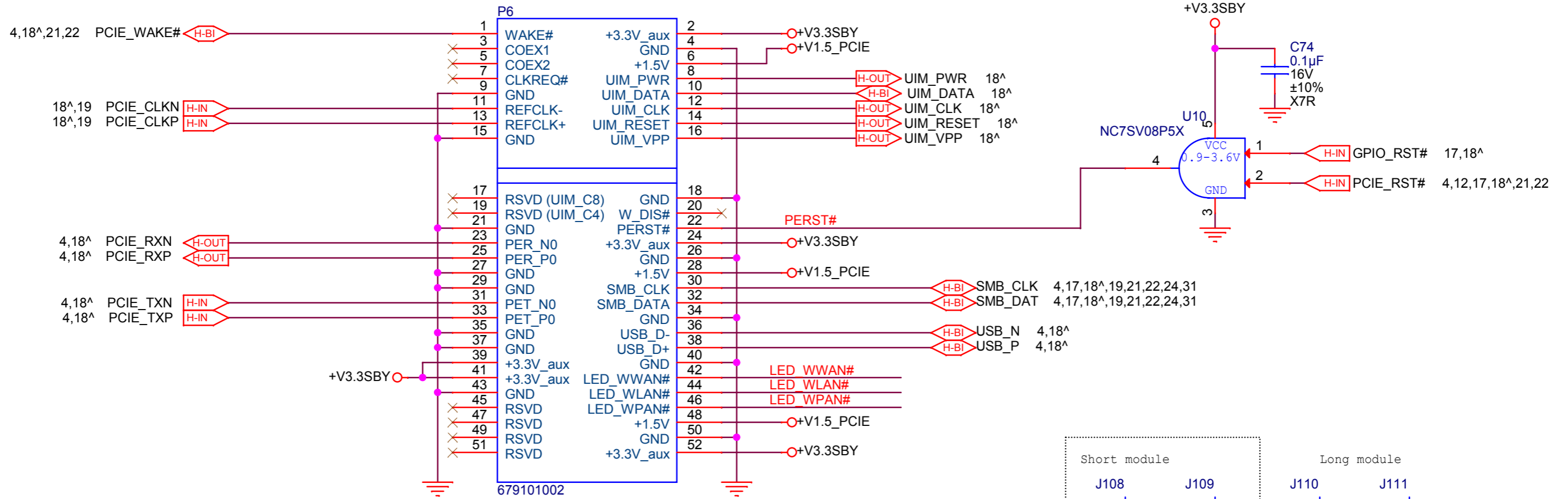




**Bauer** Bauer Turnkey Projects Ltd.  
 1 Huri st. Haifa 3309200 ISRAEL  
 WWW.BAUERTKP.COM  
 Unauthorized duplication prohibited

Size A4	Title PCIE CLOCK BUFFER	Rev 1.0
Document Number: <Doc>		
Date: Sunday, April 08, 2018	Sheet 19 of 32	

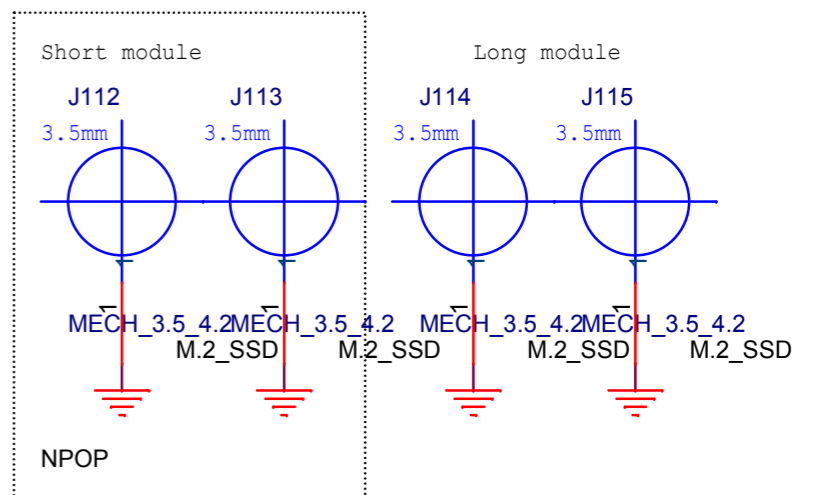
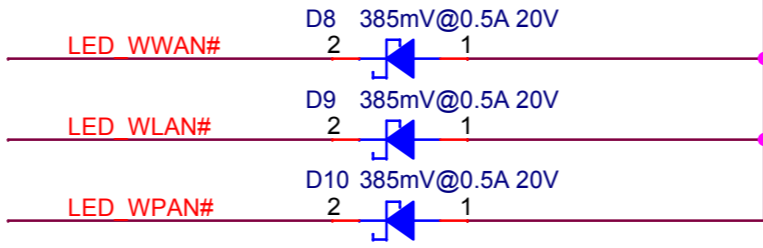
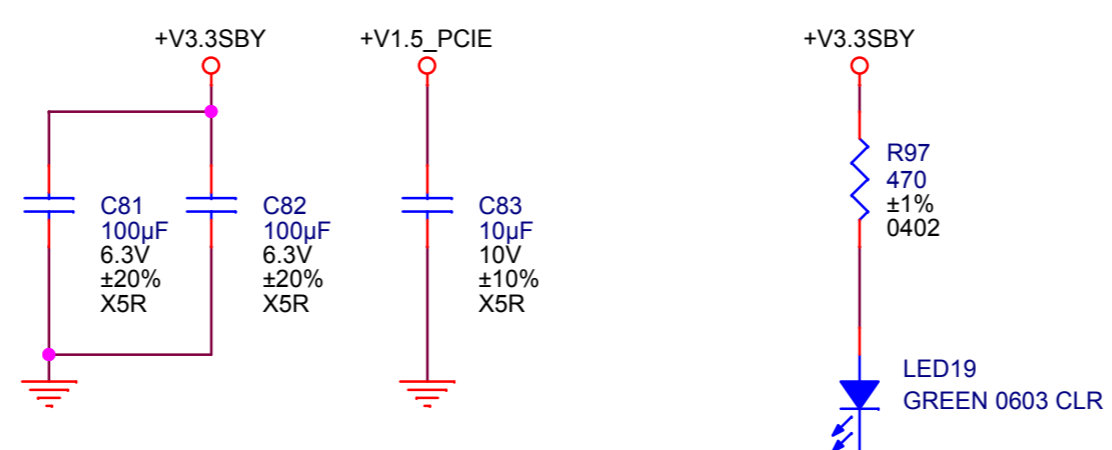
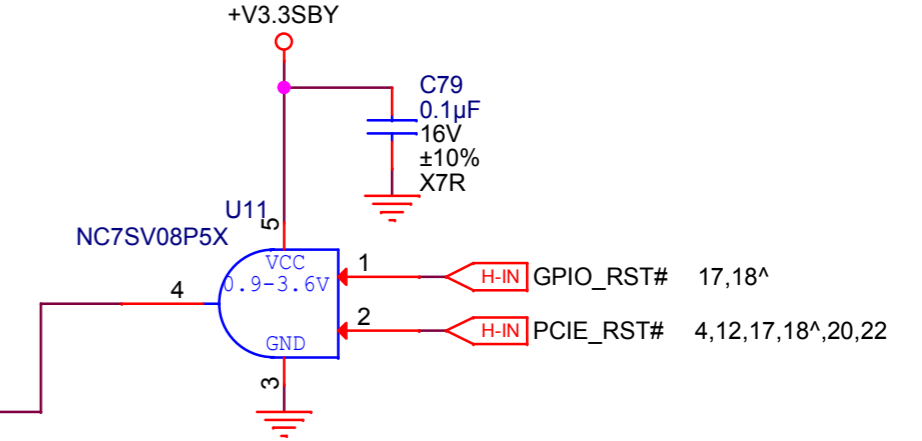
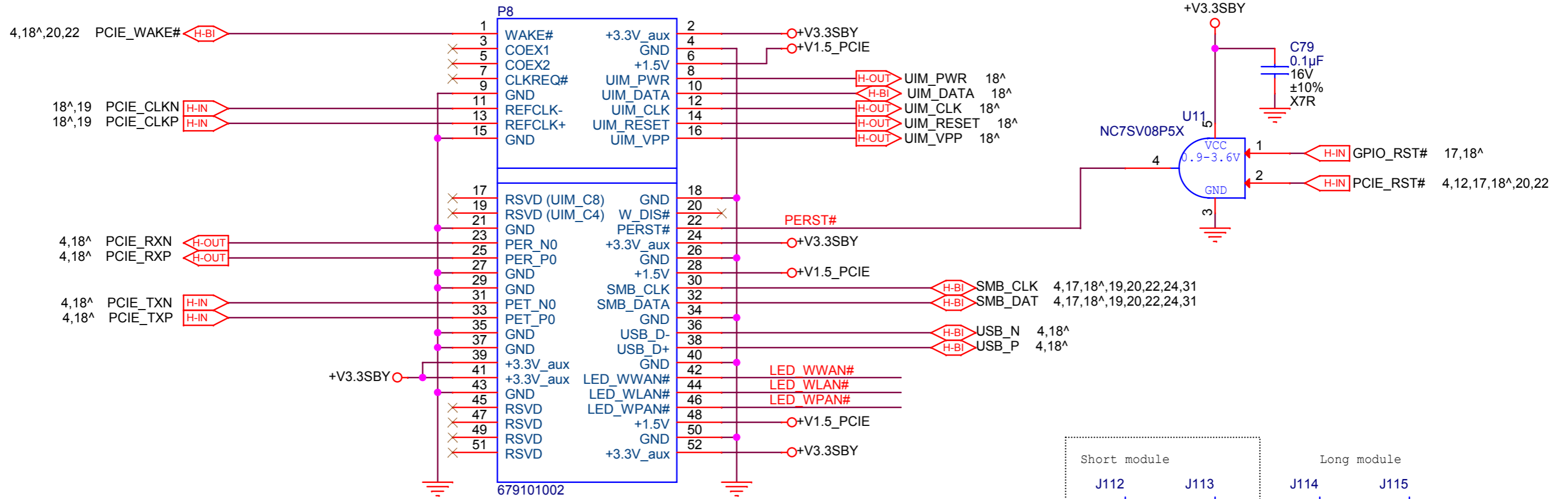
# mPCIE



**Bauer** Bauer Turnkey Projects Ltd.  
 1 Huri st. Haifa 3309200 ISRAEL  
 WWW.BAUERTKP.COM  
 Unauthorized duplication prohibited

Size A4	Title mPCIE SOCKET 1	Rev 1.0
Document Number: <Doc>		
Date: Sunday, April 08, 2018	Sheet 20	of 32

# mPCIE

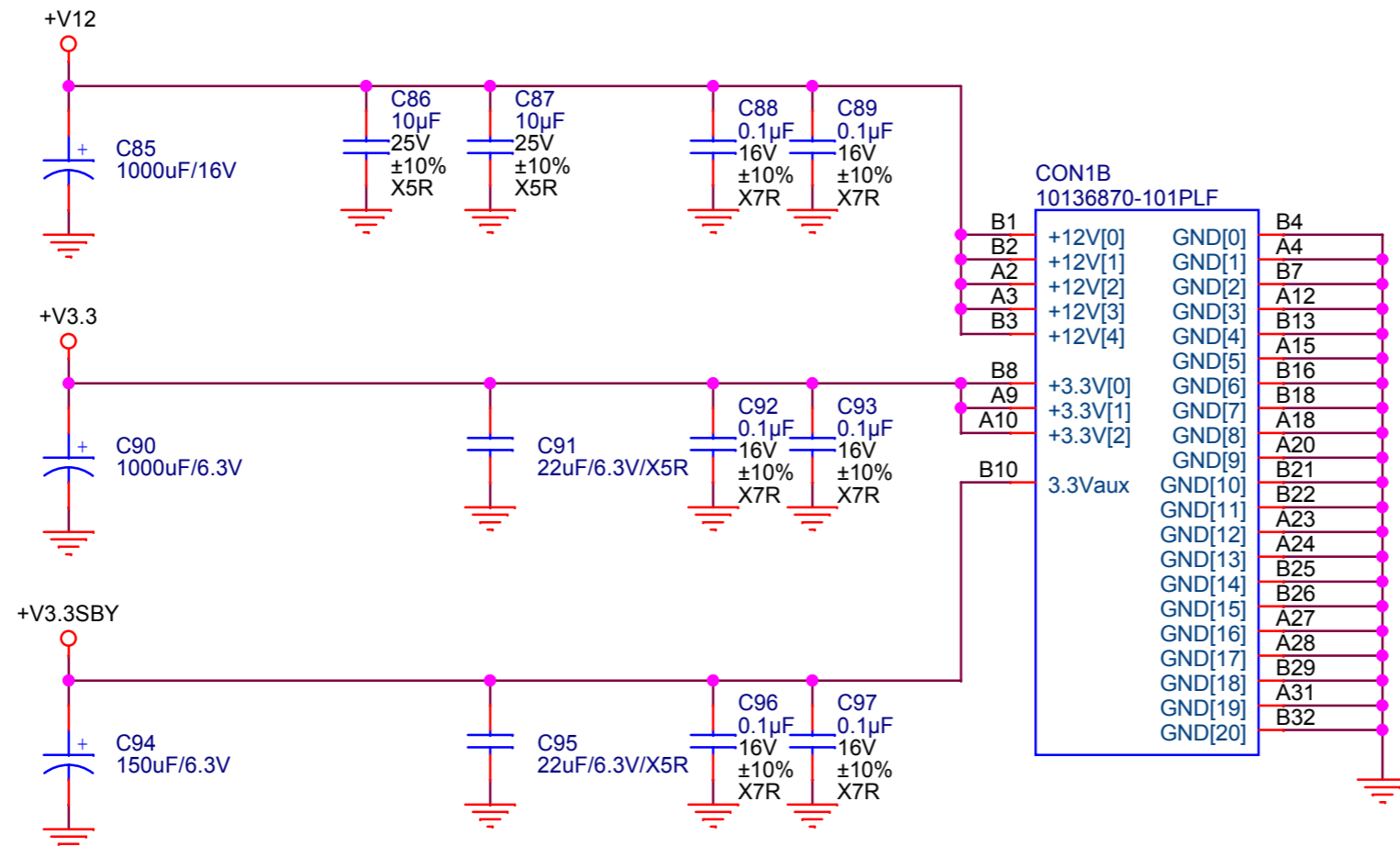
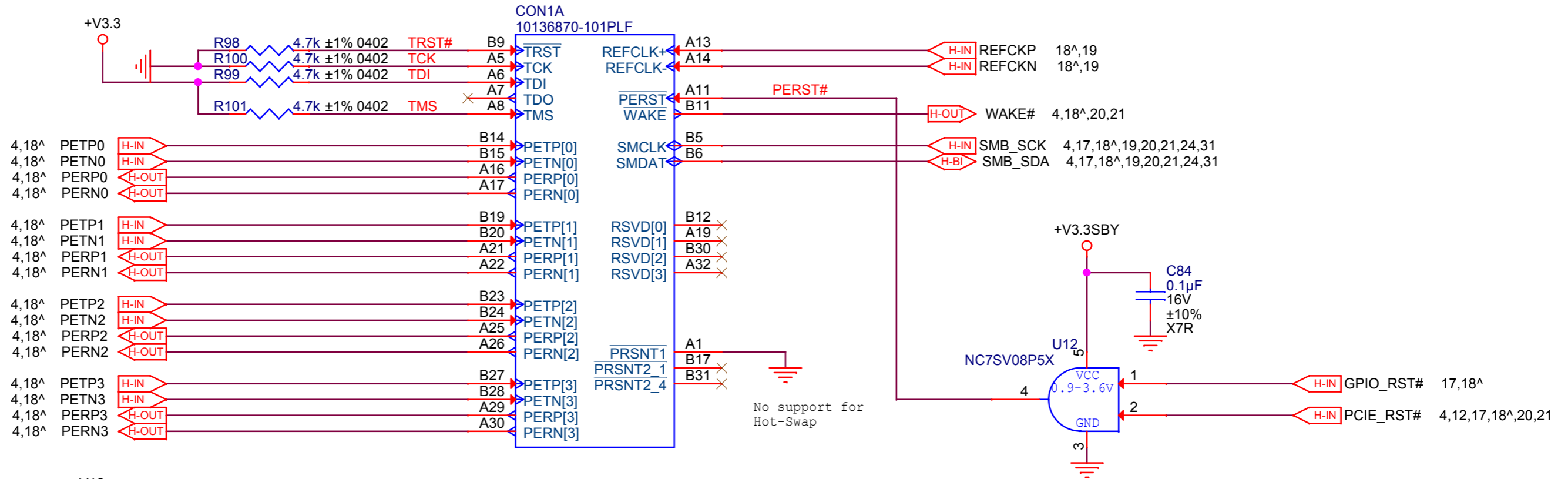


**Bauer Turnkey Projects Ltd.**  
 1 Huri st. Haifa 3309200 ISRAEL  
 WWW.BAUERTKP.COM  
 Unauthorized duplication prohibited

Size A4	Title mPCIE SOCKET 2	Rev 1.0
Date: Sunday, April 08, 2018	Document Number: <Doc>	Sheet 21 of 32

Power supply requirements -  
 Target for the slot is 25W -  
 3.3v - 3A  
 12v - 2.1A

Rev 1.3 adds pull down to the reset pin.  
 This addition comes to fix the PCIe requirement of holding  
 the add-on card in reset until PCIe clock is stable

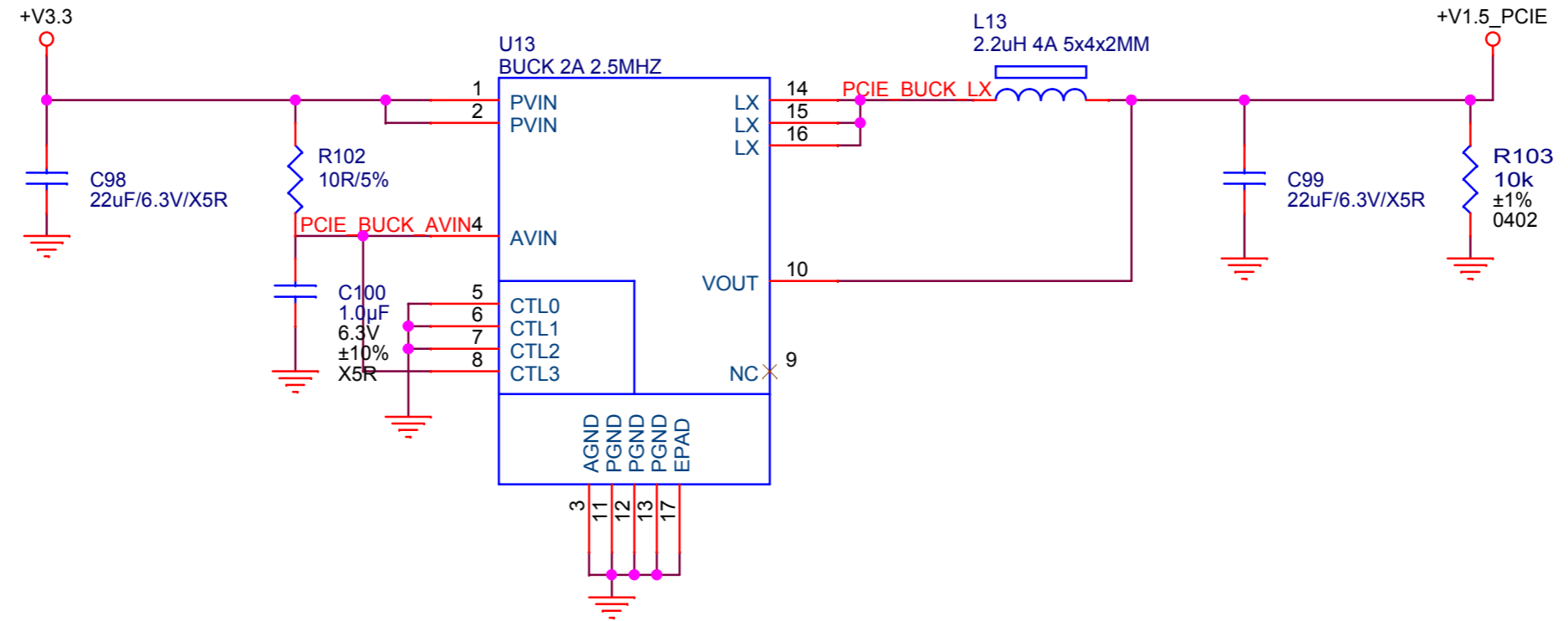


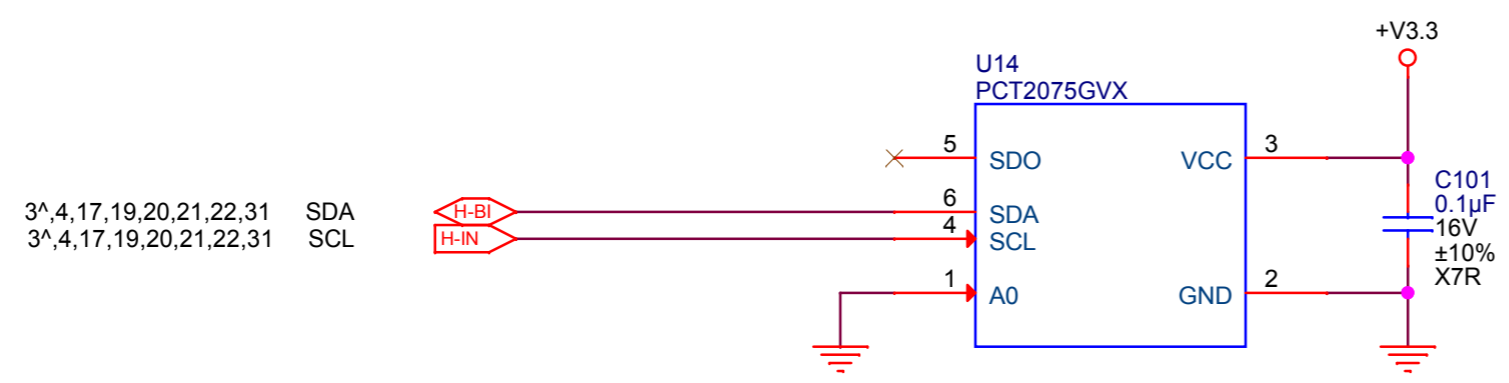
**POWER REQUIREMENTS:**  
 VCC\_12V 2.1A @ 1000uF bulk  
 VCC\_3V3 3.0A @ 1000uF bulk  
 VCC\_3V3\_SB 375mA @ 150uF bulk

**HIGH FREQUENCY DECOUPLING REQUIREMENTS:**  
 VCC\_12V 1x 22uF, 2x 100nF  
 VCC\_3V3 1x 22uF, 2x 100nF  
 VCC\_3V3\_SB 1x 22uF, 2x 100nF

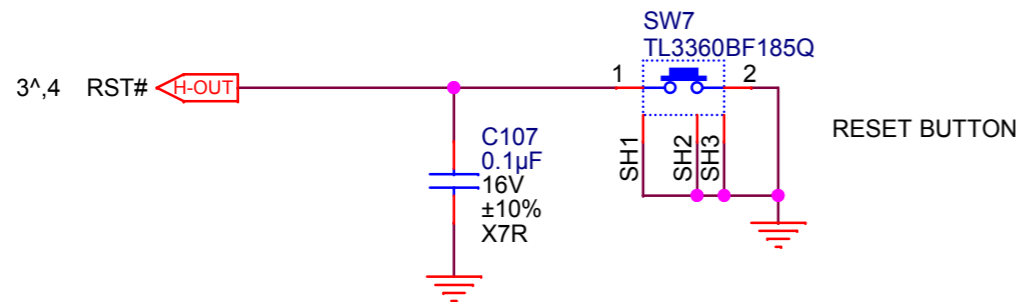
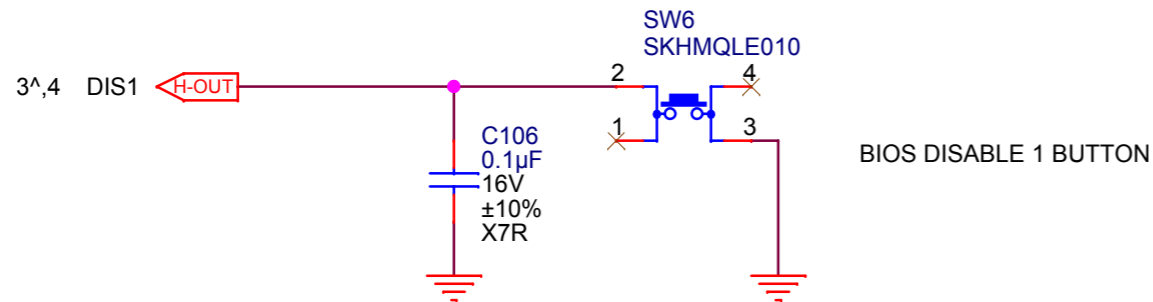
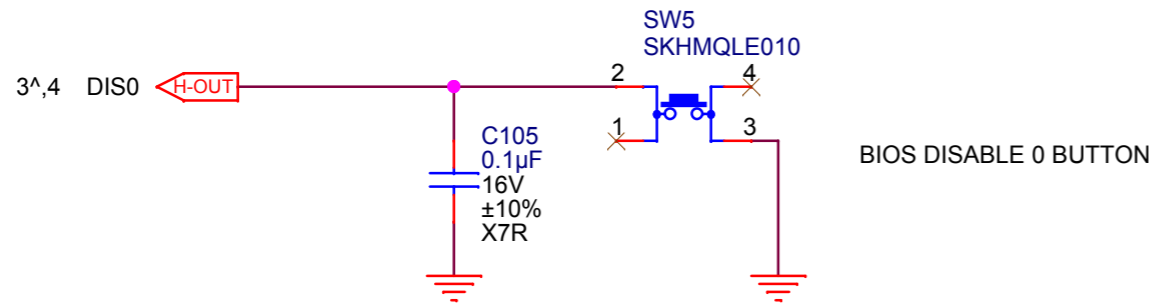
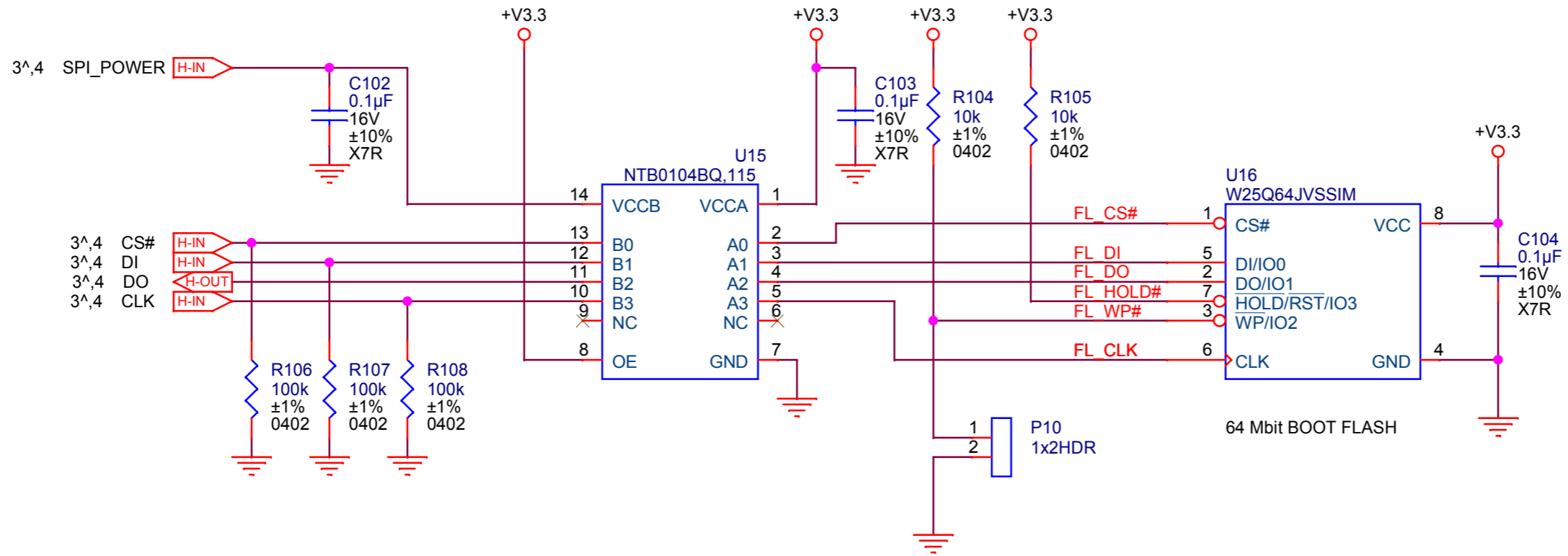
**Bauer** Bauer Turnkey Projects Ltd.  
 1 Huri st. Haifa 3309200 ISRAEL  
 WWW.BAUERTKP.COM  
 Unauthorized duplication prohibited

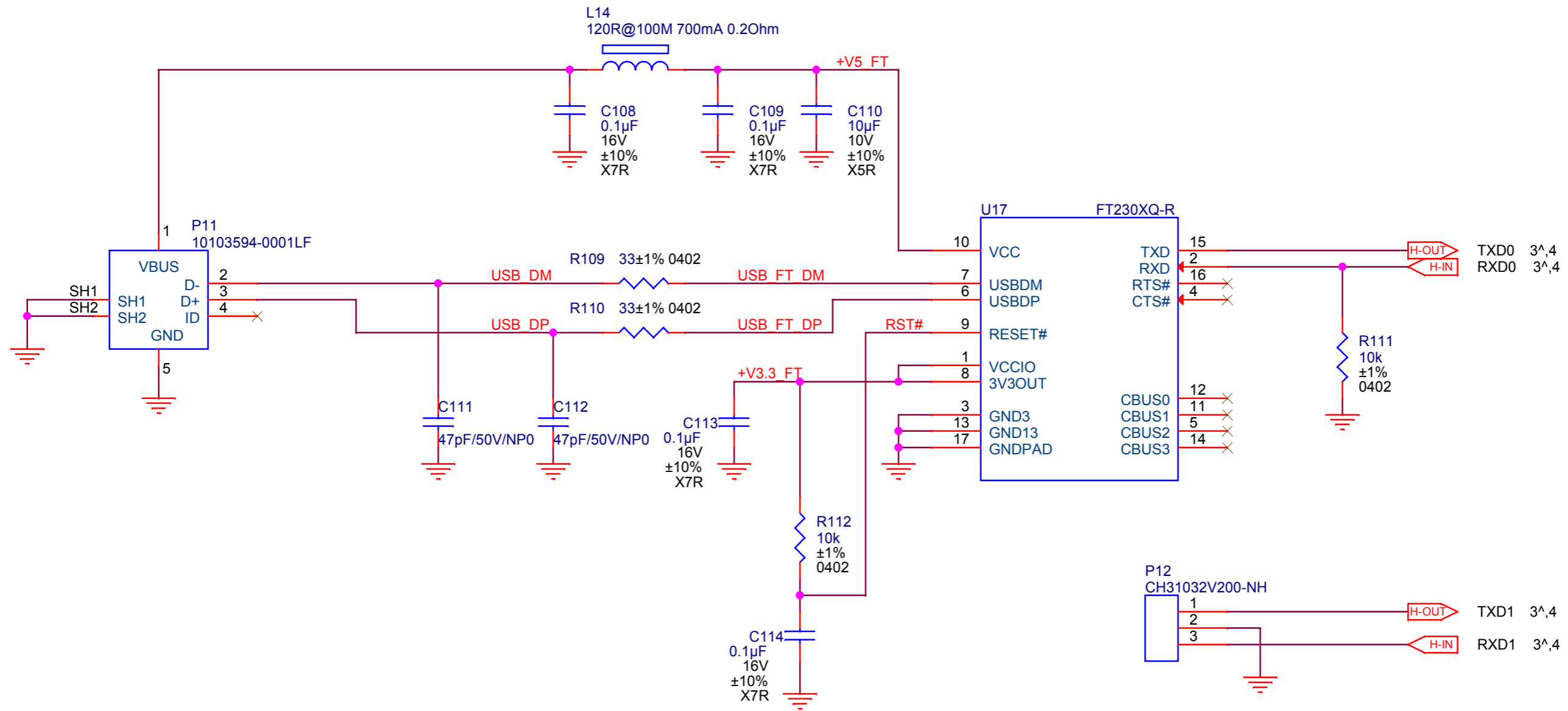
Size A4	Title PCIE 4X	Rev 1.0
Document Number: <Doc>		
Date: Sunday, April 08, 2018	Sheet 22 of 32	

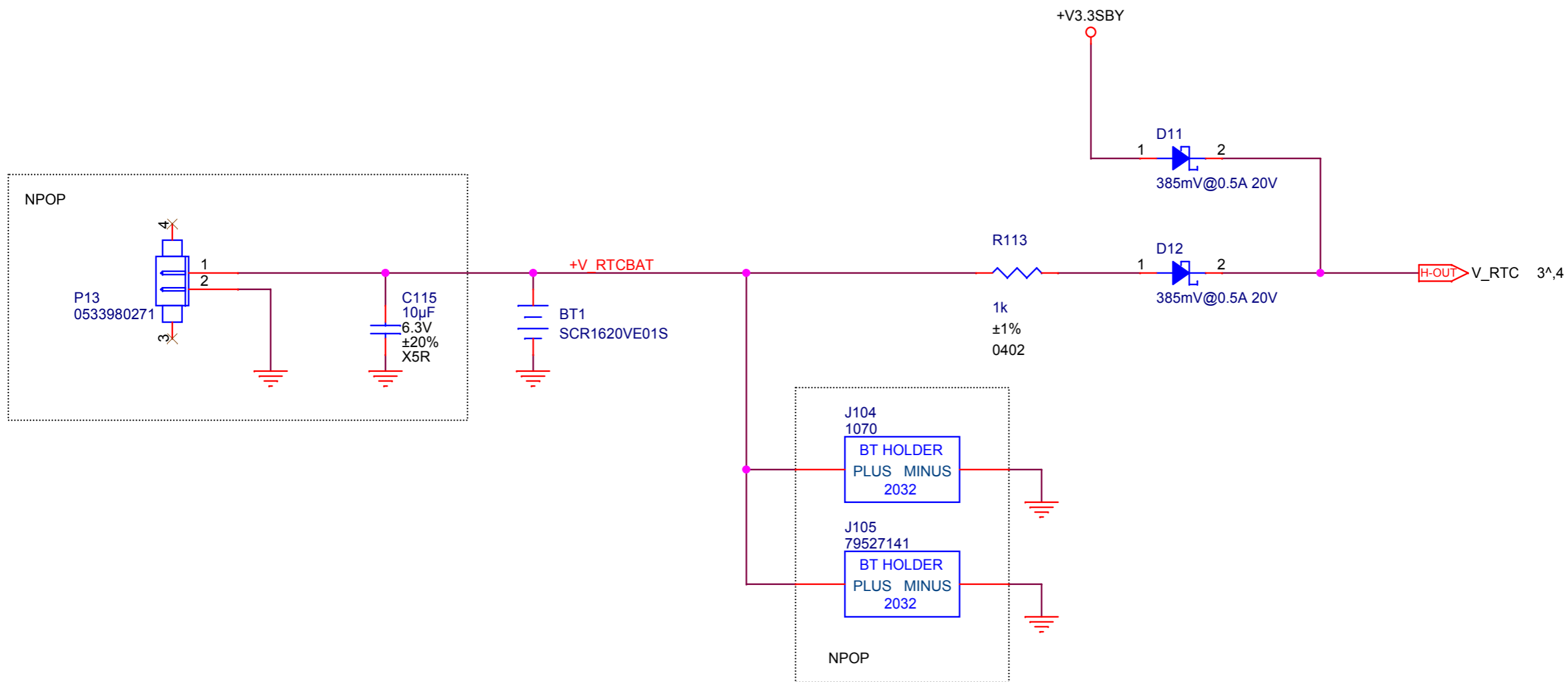




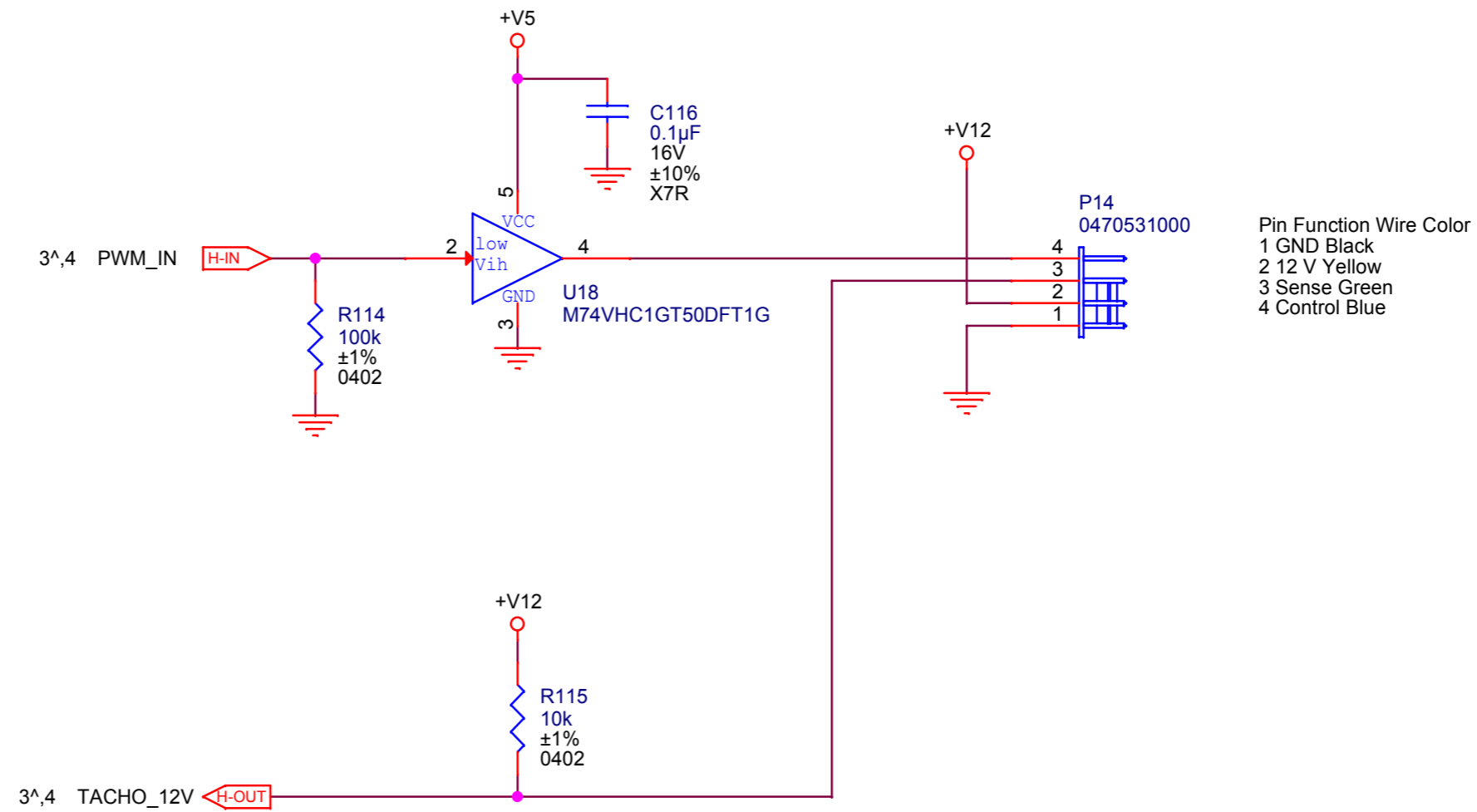




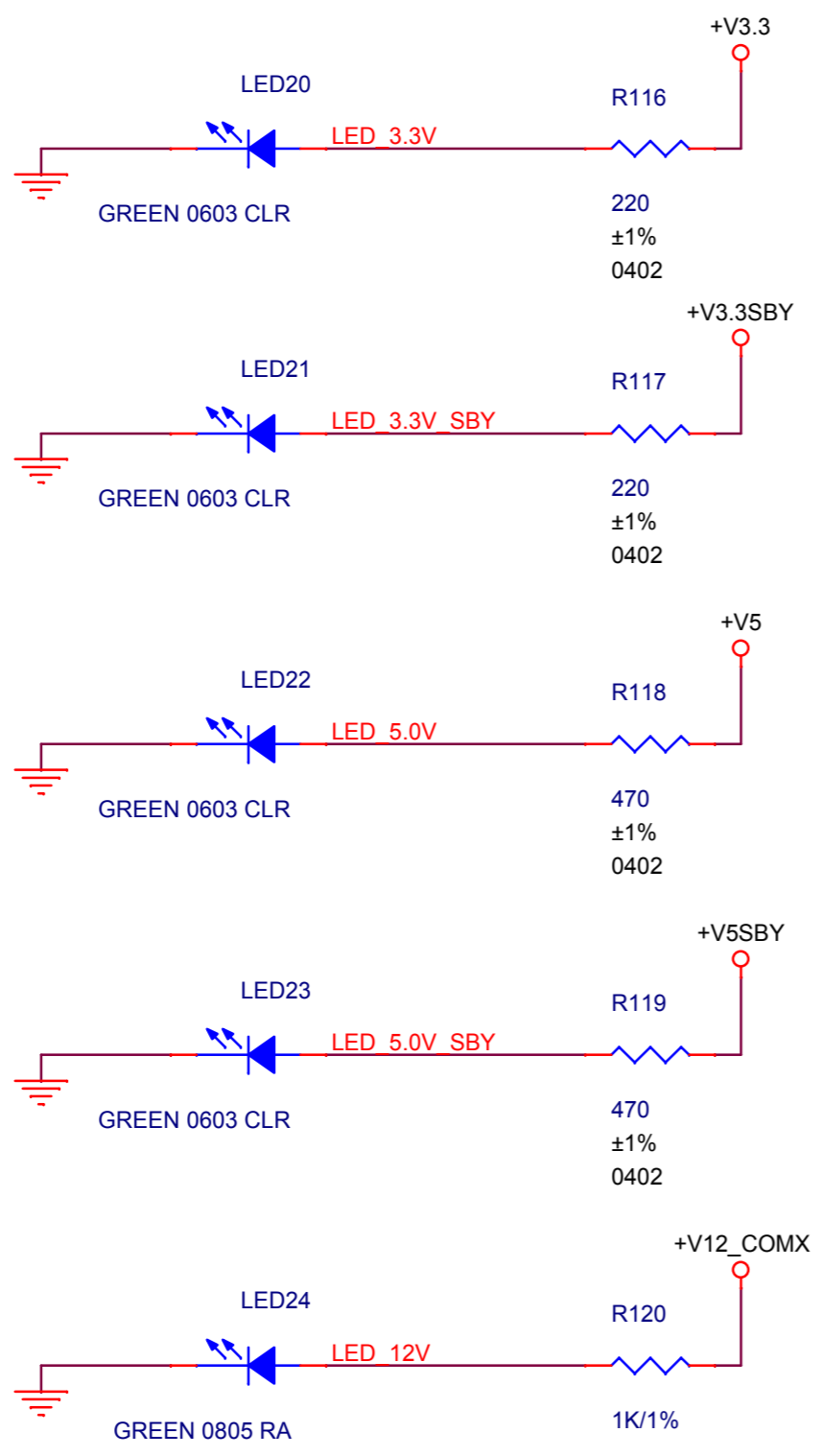




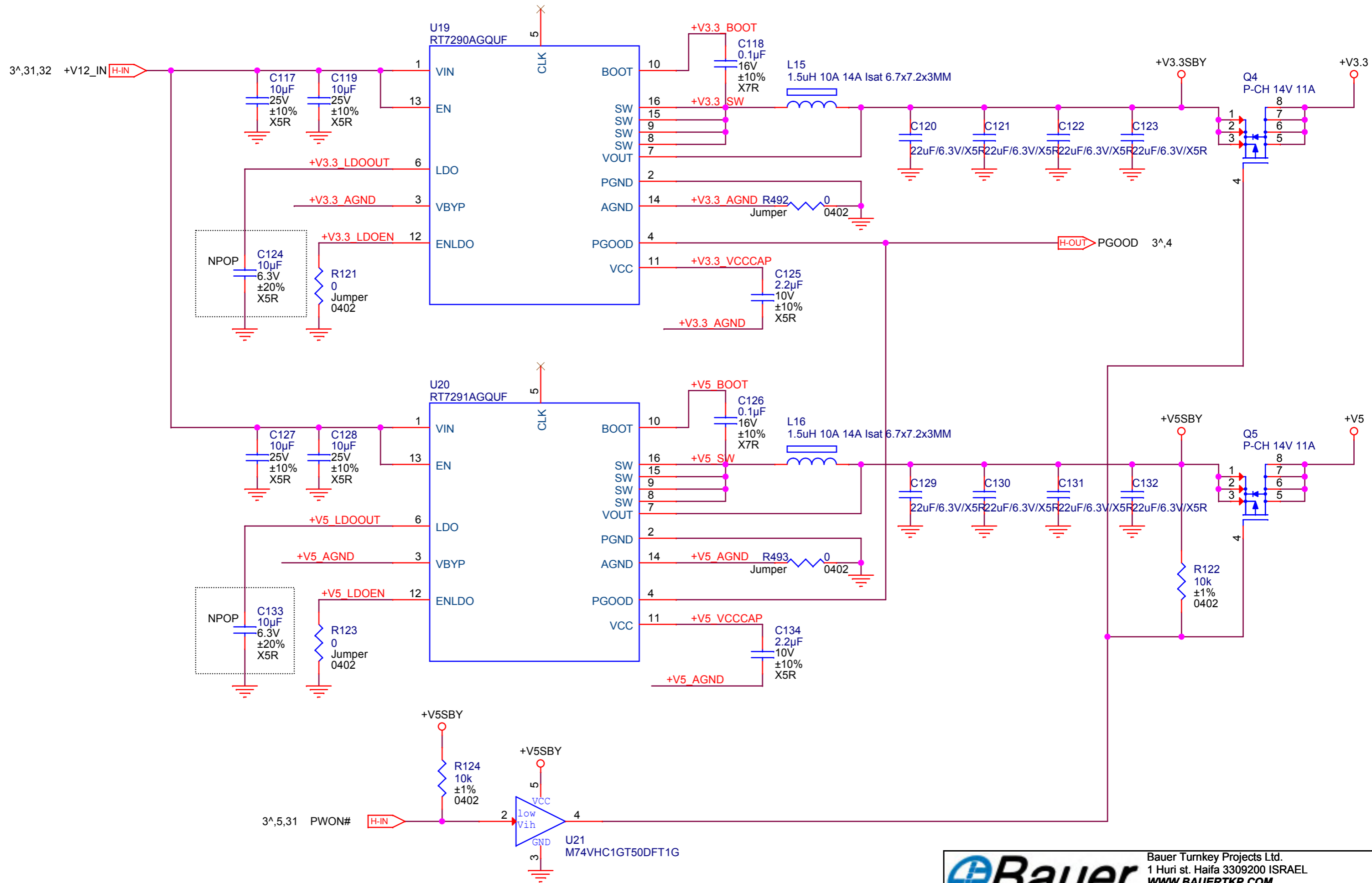
IMPLEMENTED IN ACCORDANCE WITH  
 4-Wire Pulse Width Modulation  
 (PWM) Controlled Fans SPECIFICATION  
[http://www.formfactors.org/developer/specs/4\\_Wire\\_PWM\\_Spec.pdf](http://www.formfactors.org/developer/specs/4_Wire_PWM_Spec.pdf)



		Bauer Turnkey Projects Ltd. 1 Huri st. Haifa 3309200 ISRAEL <b>WWW.BAUERTKP.COM</b> Unauthorized duplication prohibited	
		Size A4 Title FAN HEADER Document Number: <Doc>	Rev 1.0
Date: Sunday, April 08, 2018	Sheet 28 of 32		



		Bauer Turnkey Projects Ltd. 1 Huri st. Haifa 3309200 ISRAEL <a href="http://WWW.BAUERTKP.COM">WWW.BAUERTKP.COM</a> Unauthorized duplication prohibited	
		Size A4	Title <Title>
Date: Wednesday, March 07, 2018		Document Number: <Doc>	
Sheet 29 of 32		1	




 Bauer Turnkey Projects Ltd.  
 1 Huri st. Haifa 3309200 ISRAEL  
 WWW.BAUERTKP.COM  
 Unauthorized duplication prohibited

Size A4	Title PRIMARY POWER	Rev 1.0
Document Number: <Doc>		
Date: Sunday, April 08, 2018	Sheet 30 of 32	

