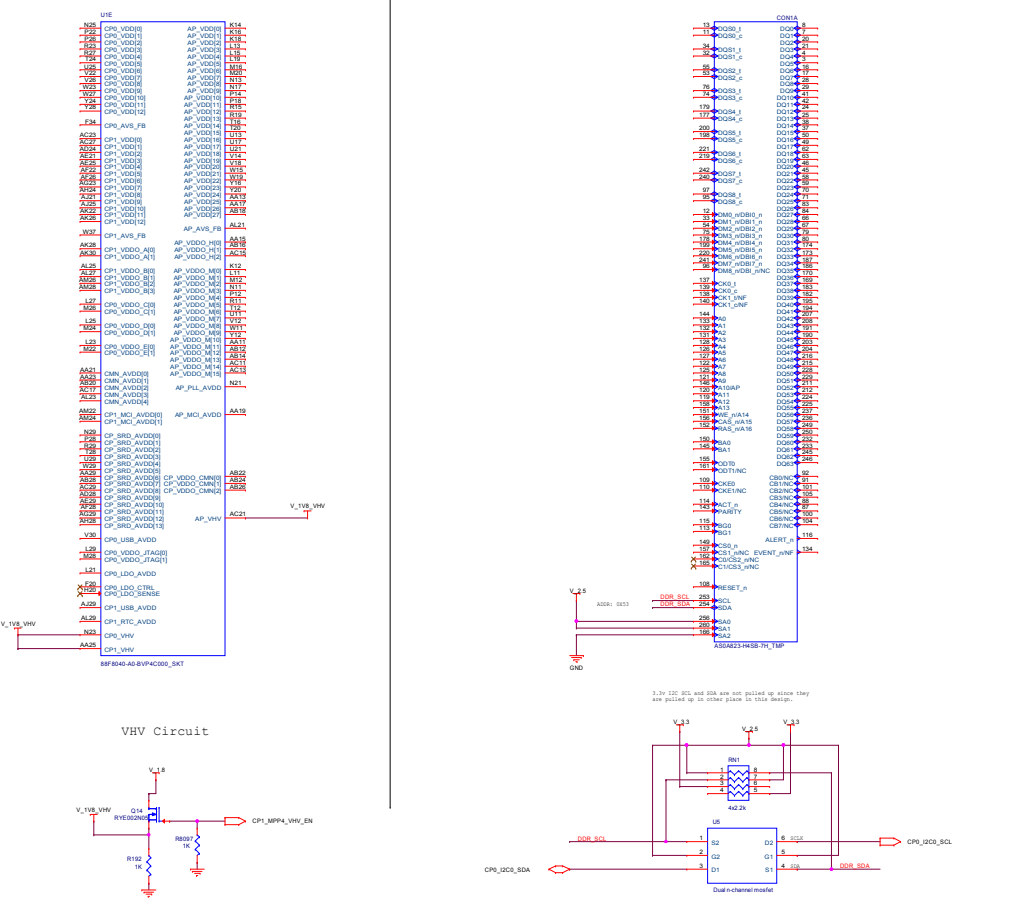
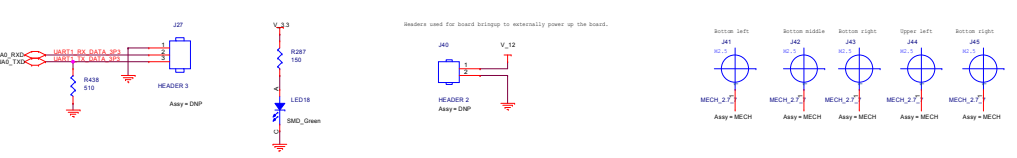
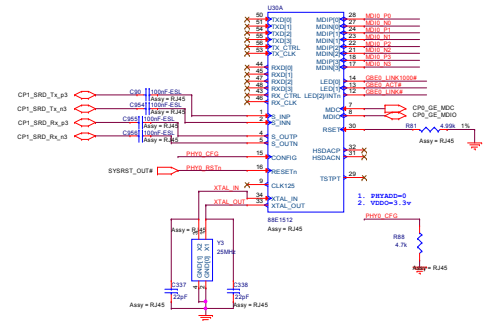




PHYADD configuration

8bit13 PHY configuration options:

PHY\_ADDRESS=7



COM Express type 7 A/B

SDIO (SDIO) includes the SDIO CL. User manual should be kept and used SDIO (SDIO) interface. This SDIO interface can work around SDIO.

SDIO (SDIO) is 3.3V IO. Can be implemented with a 3.3V IO.

SDIO (SDIO) is 3.3V IO. Can be implemented with a 3.3V IO.

SDIO (SDIO) is 3.3V IO. Can be implemented with a 3.3V IO.

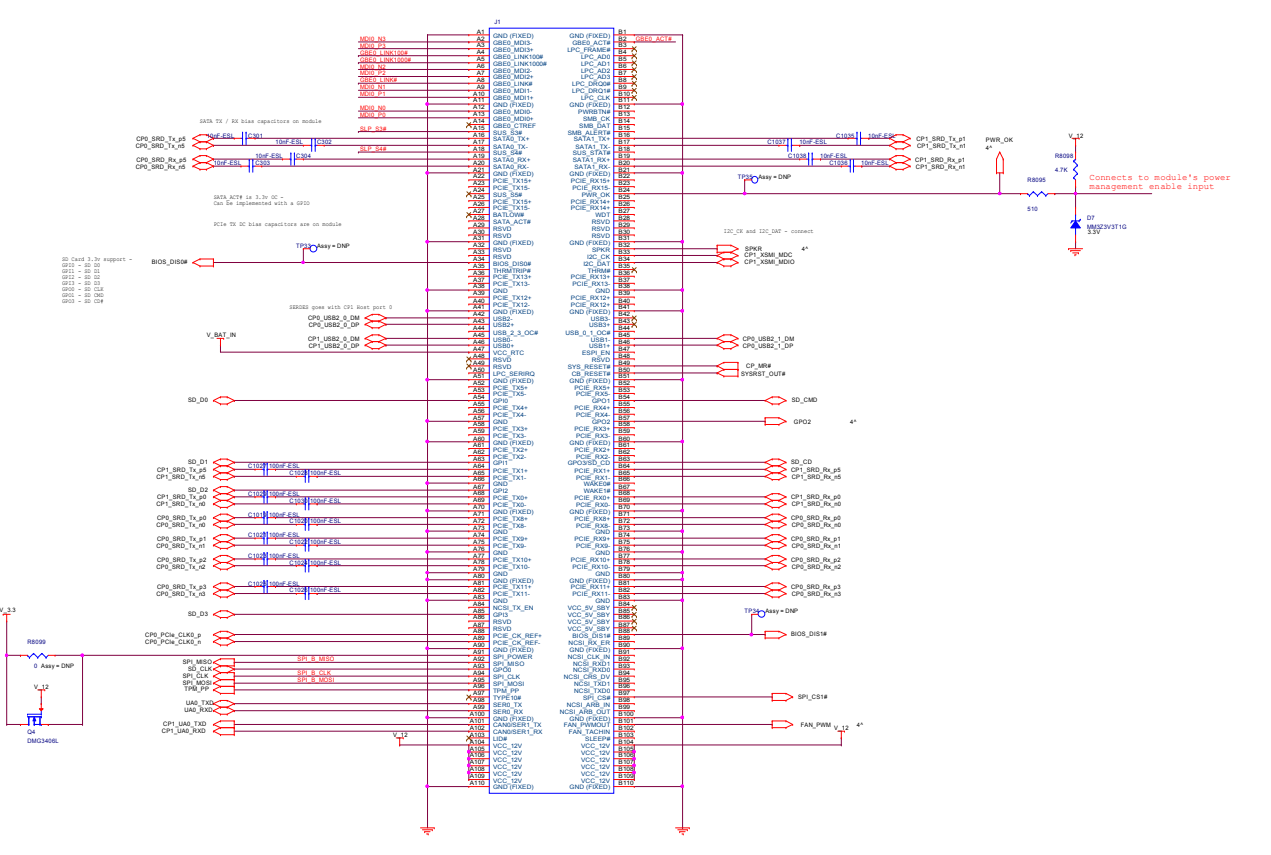
SDIO (SDIO) is 3.3V IO. Can be implemented with a 3.3V IO.

SDIO (SDIO) is 3.3V IO. Can be implemented with a 3.3V IO.

SDIO (SDIO) is 3.3V IO. Can be implemented with a 3.3V IO.

SDIO (SDIO) is 3.3V IO. Can be implemented with a 3.3V IO.

SDIO (SDIO) is 3.3V IO. Can be implemented with a 3.3V IO.



COM Express type 7 C/D

