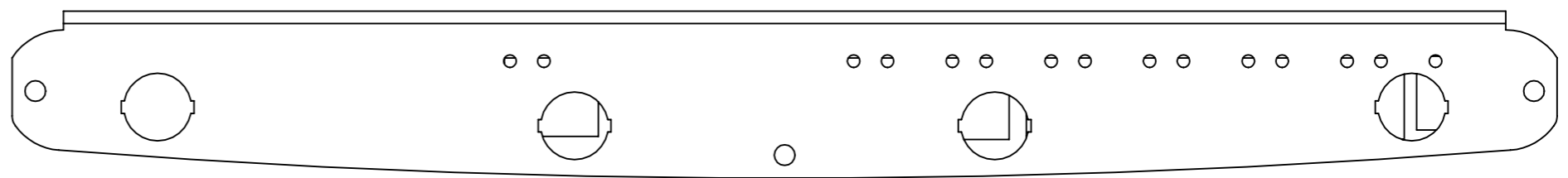
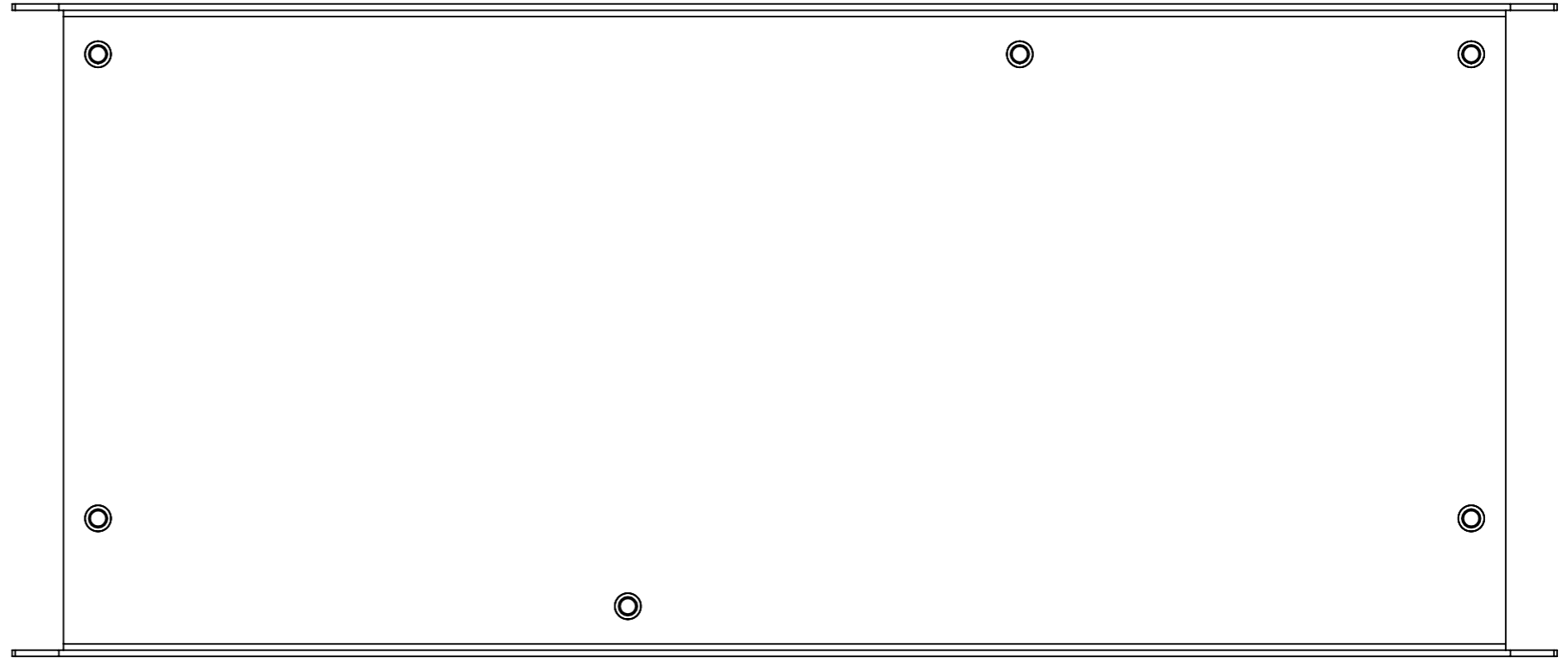
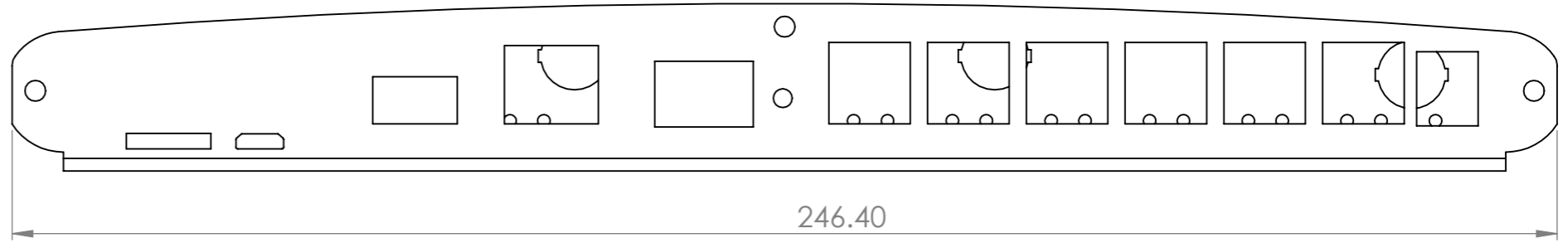
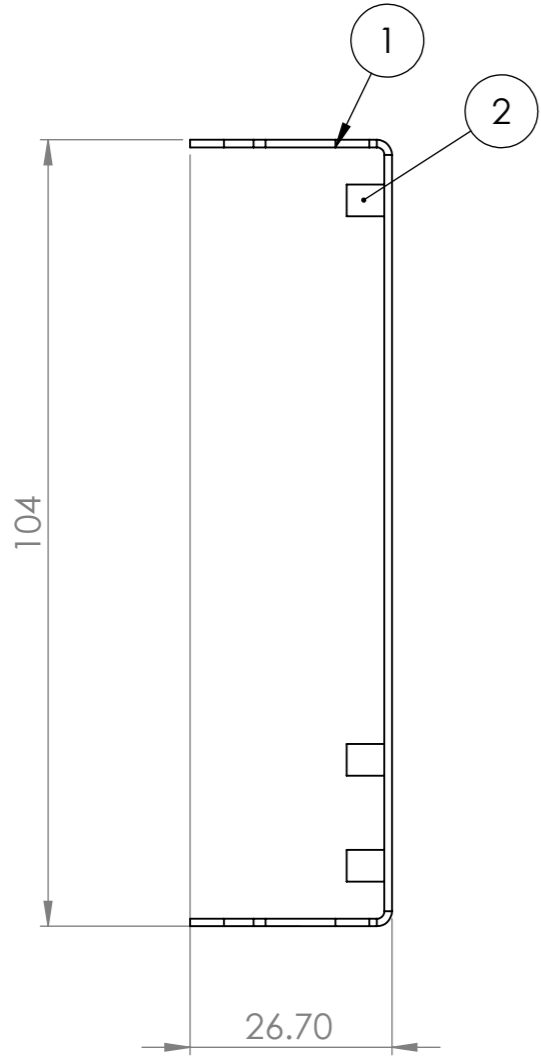


ITEM NO.	PART NUMBER	DESCRIPTION	QTY.
1	ARMighty_Rev.2 Base		1
2	PEM BSOS-M3-6 ---N		6

DESCRIPTION	APPROVED	DATE	REV.	CHANGE ORDER
NEW DOCUMENT	KEDEM S.	24/06/2004	A	

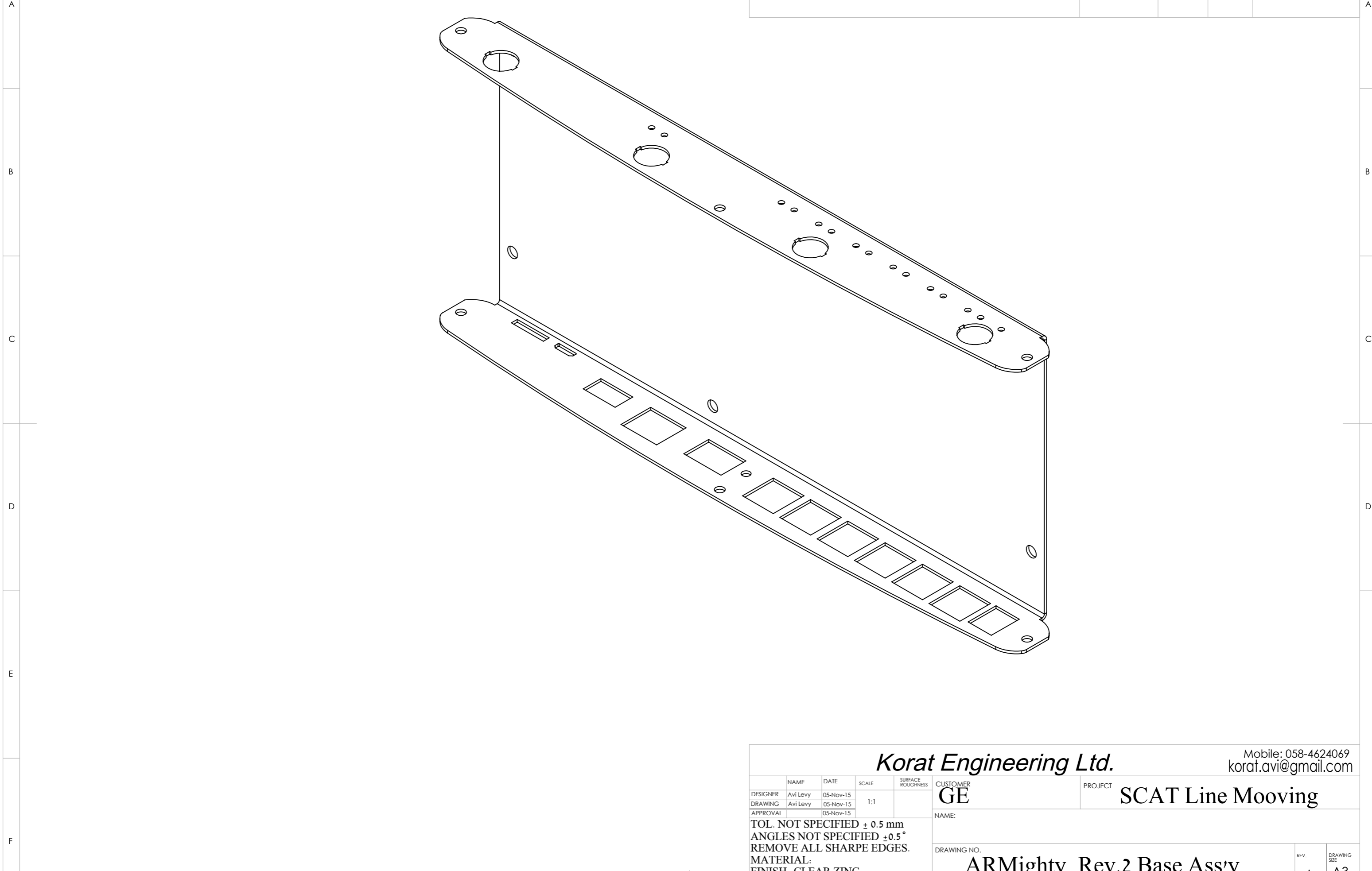
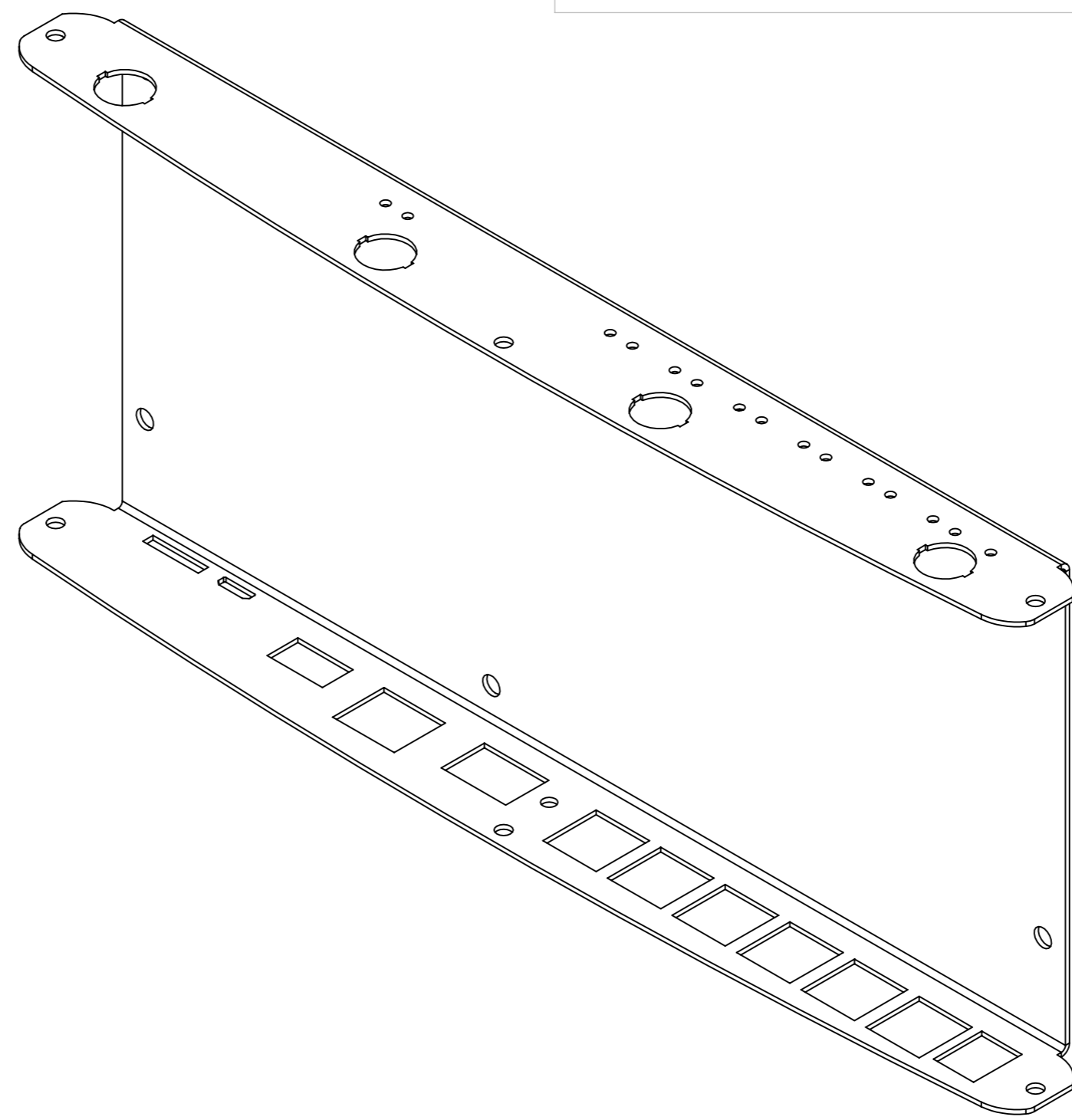


NOTES:
 1. MATERIAL: ELECTRO POLISHED CRES 304 1mm THK.

Korat Engineering Ltd. Mobile: 058-4624069
 korat.avi@gmail.com

DESIGNER	Avi Levy	DATE	05-Nov-15	SCALE	1:1	CUSTOMER	GE	PROJECT	SCAT Line Mooving		
DRAWING	Avi Levy	DATE	05-Nov-15			NAME:					
APPROVAL		DATE	05-Nov-15			DRAWING NO.					
TOL. NOT SPECIFIED ± 0.5 mm ANGLES NOT SPECIFIED ±0.5° REMOVE ALL SHARPE EDGES. MATERIAL: FINISH: CLEAR ZINC						ARMighty_Rev.2 Base Ass'y					
Proprierty of Korat Engineering						ALL DIMENSIONS ARE IN MILIMETERS		REV.	A	DRAWING SIZE	A3
								SHEET 1 OF 3			

DESCRIPTION	APPROVED	DATE	REV.	CHANGE ORDER
NEW DOCUMENT	KEDEM S.	24/06/2004	A	



Korat Engineering Ltd.				Mobile: 058-4624069 korat.avi@gmail.com	
	NAME	DATE	SCALE	SURFACE ROUGHNESS	CUSTOMER
DESIGNER	Avi Levy	05-Nov-15	1:1		GE
DRAWING	Avi Levy	05-Nov-15			
APPROVAL		05-Nov-15			
					PROJECT
					SCAT Line Mooving
					NAME:
					DRAWING NO.
					ARMighty_Rev.2 Base Ass'y
					REV.
					A
					DRAWING SIZE
					A3
					Proprierty of Korat Engineering
					ALL DIMENSIONS ARE IN MILIMETERS
					SHEET 2 OF 3