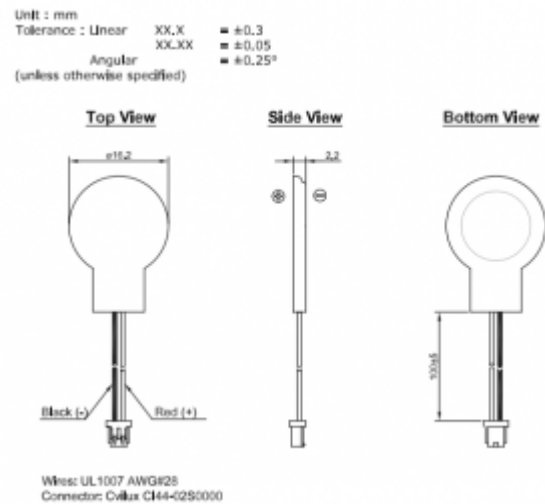


RTC

[imx6](#), [rtc](#), [hummingboard](#), [cubox-i](#)

General Information

[] A real-time clock (RTC) is a computer clock that keeps track of the current time. The RTC circuitry is integrated into the [HummingBoard Professional](#) and the [Cubox-i](#) uses a CR1620 sized Lithium/Manganese Dioxide (LiMnO₂) Coin Cell.



This coin cell should be the only part to connect to the header provided on the device to power this circuit.

General Requirement

Operation Temperature Range: -20°C to +70°C

Storage Temperature Range: 0°C to +30°C

Storage Humidity: 40 ~ 75%

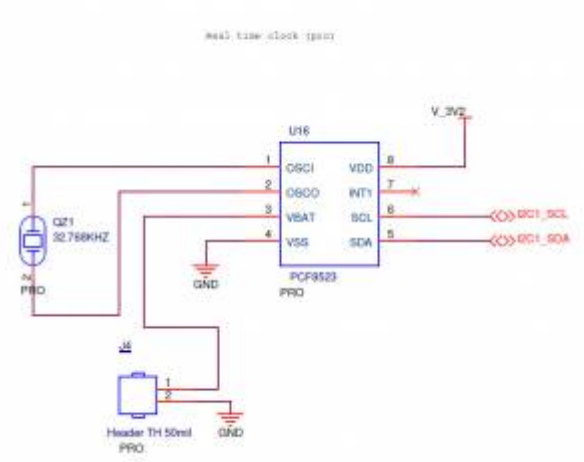
Weight: 1,3g

Materials of Positive Terminal: SUS430+NI-paltd

Materials of Negative Terminal: SUS430+NI-paltd

Electrical Requirement

[] Nominal Voltage: 3V



Nominal Capacity: 70mAh (under Load 30kO Load and 2.0V End-voltage)

Load Resistance: 30kO

Standard Discharge Current: 0.2 mA

From:
<https://wiki.solid-run.com/> - Wiki | SolidRun

Permanent link:
<https://wiki.solid-run.com/doku.php?id=products:imx6:rtc>

Last update: **2015/05/29 10:10**

