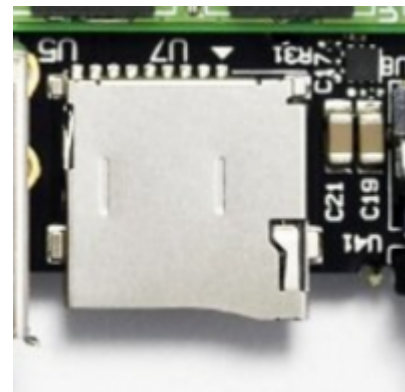


IBX SolidPC MicroSD Card Slot

[ibx](#), [u](#), [carrierboard](#), [braswell](#), [solidpc](#), [microsd](#), [sd](#)



Description

The microSD removable miniaturized Secure Digital flash memory cards were originally named T-Flash or TF, abbreviations of TransFlash. TransFlash and microSD cards are functionally identical allowing either to operate in devices made for the other. It can be used as storage or booting up an operation system. The SolidPC supports UHS-1

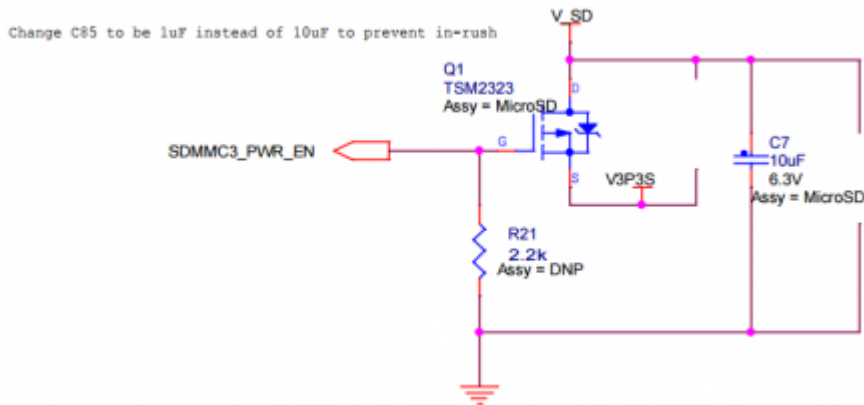
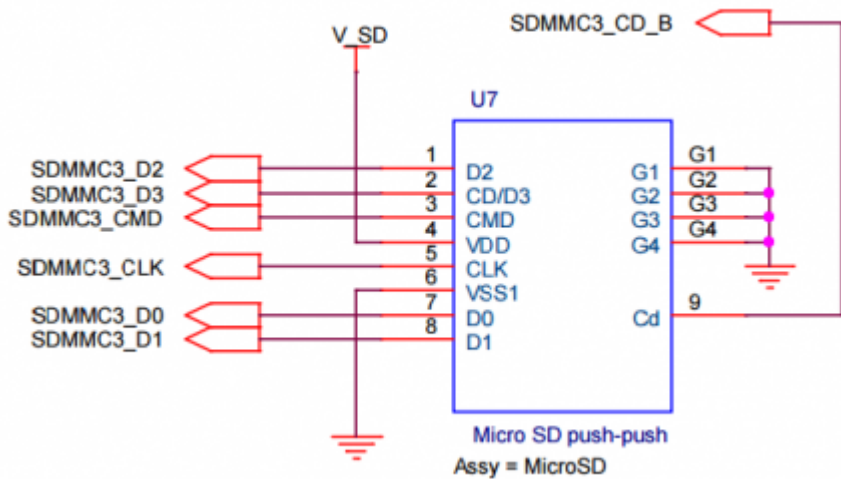
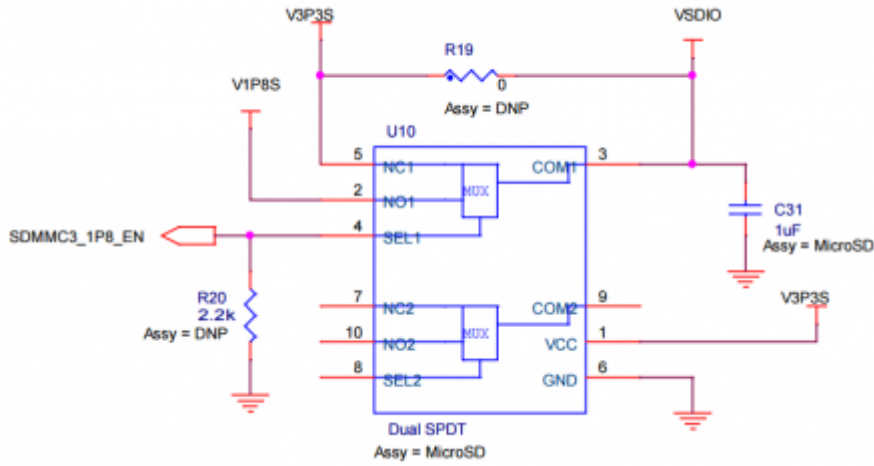
Speedtest



Brand	Read	Write
Sandisk Ultra 8gb	23.2 mb/sec	8.1 mb/sec
Sandisk Extreme 32gb	35.8 mb/sec	28.3 mb/sec

Schematics

MicroSD with 3.3v/1.8 switchover for UHS-1



From: <https://wiki.solid-run.com/> - Wiki | SolidRun

Permanent link: <https://wiki.solid-run.com/doku.php?id=products:ibx:solidpc:sd>

Last update: 2016/10/19 07:47

