

SolidPC real-time clock (RTC)

[ibx](#), [carrierboard](#), [braswell](#), [solidpc](#), [rtc](#)



Overview

A real-time clock (RTC) is a computer clock (most often in the form of an integrated circuit) that keeps track of the current time.

Although the term often refers to the devices in personal computers, servers and embedded systems, RTCs are present in almost any electronic device which needs to keep accurate time.

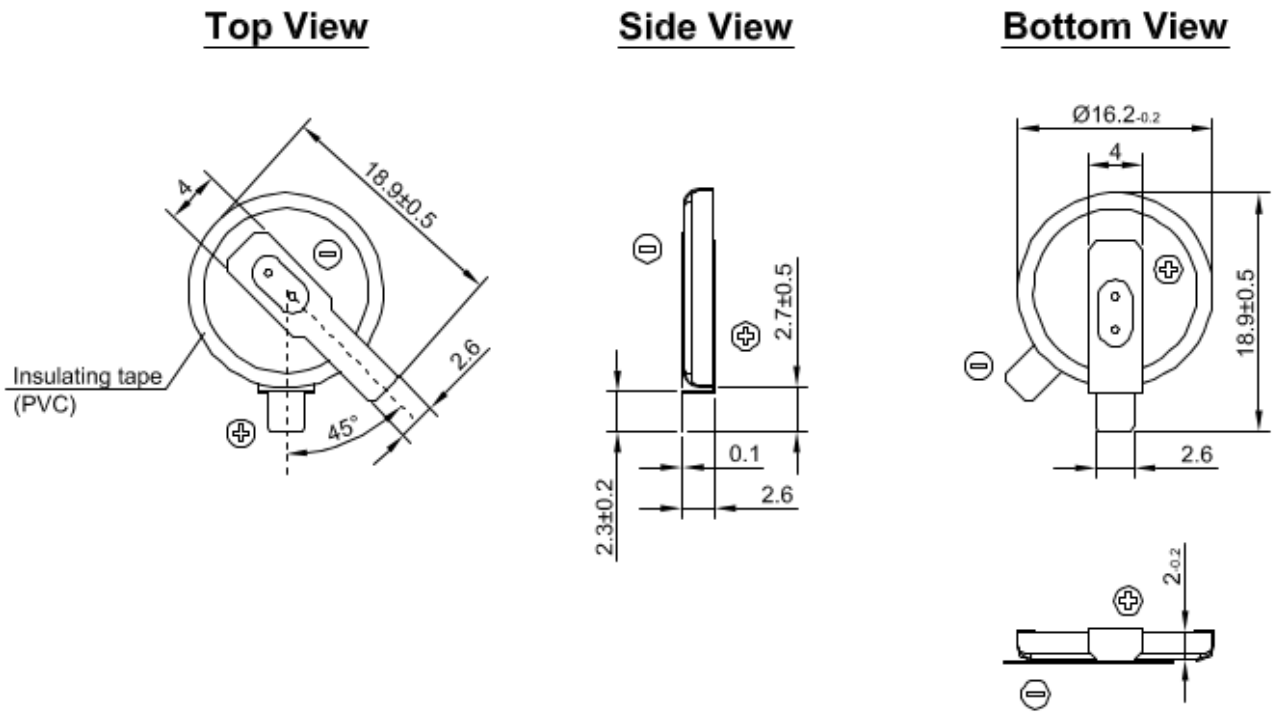
(source wikipedia)

RTC Battery

The SolidPC uses a 3volt RTC battery. Its a Lithium/Manganese Dioxide Coin Cell. The Battery Part Number is CR1620.

The Datasheet can be found

[here](#)



Source: Datasheet | JL World Corp.Ltd. - JL Sener

From:
<https://wiki.solid-run.com/> - Wiki | SolidRun

Permanent link:
<https://wiki.solid-run.com/doku.php?id=products:ibx:solidpc:rtc>

Last update: **2016/11/17 04:37**

