

IBx SolidPC M.2

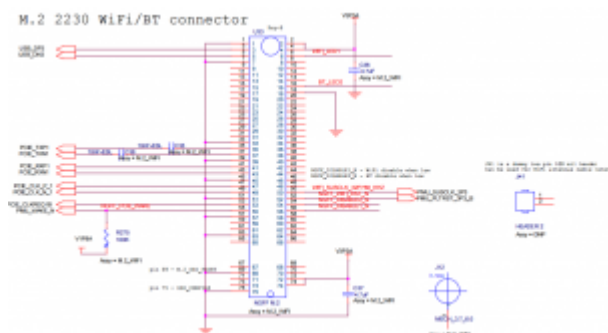
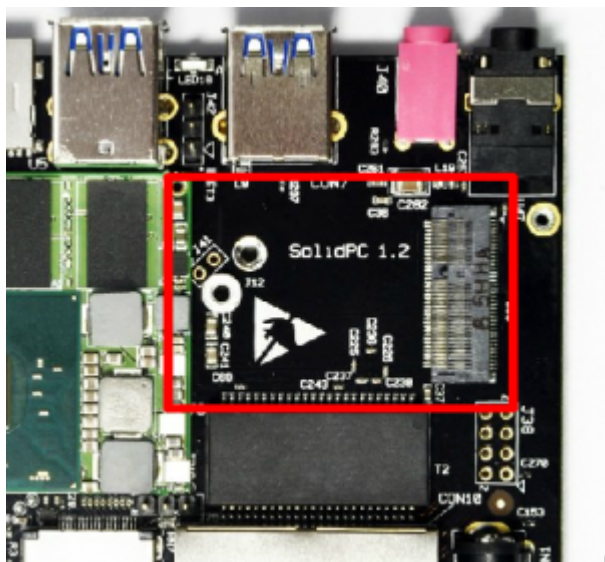
[ibx](#), [carrierboard](#), [braswell](#), [solidpc](#), [pins](#), [m.2](#), [wifi](#), [ssd](#)

Description

M.2 (pronounced M dot two), formerly known as the Next Generation Form Factor (NGFF), is a specification for internally mounted computer expansion cards and associated connectors. It replaces the mSATA standard, which uses the PCI Express Mini Card physical card layout and connectors. M.2's more flexible physical specification allows different module widths and lengths, and, paired with the availability of more advanced interfacing features, makes the M.2 more suitable than mSATA for solid-state storage applications in general and particularly for the use in small devices such as ultrabooks or tablets.

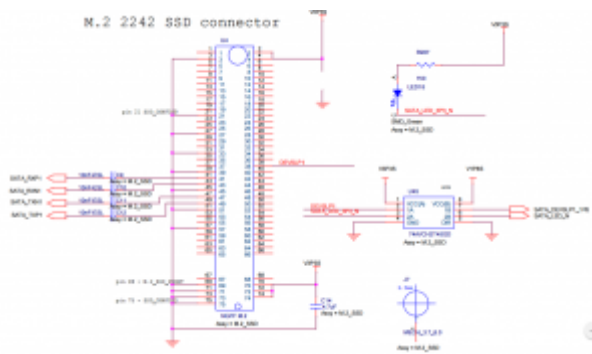
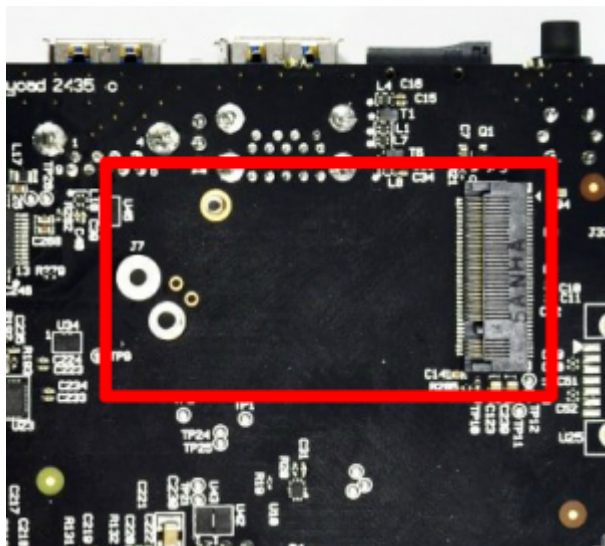
(source: wikipedia)

M.2 Wifi



The m.2 wifi slot is located at the **top** side of the carrierboard.
The type is m.2 **2230**

M.2 SSD



The m.2 ssd slot is located at the **bottom** side of the carrierboard.
The type is m.2 **2242** M-Keyed

Tested and working m.2 SSD devices:

- Apacer: APM2T42P100032GAN-GTM1
- Sandisk: SD8SMAT-128G

M.2 Screws

On the SolidPC carrierboard two spacers are soldered - one on each side.
We use the 1.5mm metal spacer for M.2 connector (3.7mm / 6.0mm) (Part No. 977-401-515-1R) by Wurth Elektronik.

M2.5 screws with ~5mm length will fit for these spacers. Please make sure that you dont take too long screws - otherwise it will conflict with the m.2 device on the other pcb side.

From:
<https://wiki.solid-run.com/> - Wiki | SolidRun

Permanent link:
<https://wiki.solid-run.com/doku.php?id=products:ibx:solidpc:m2>

Last update: **2017/11/15 00:23**

